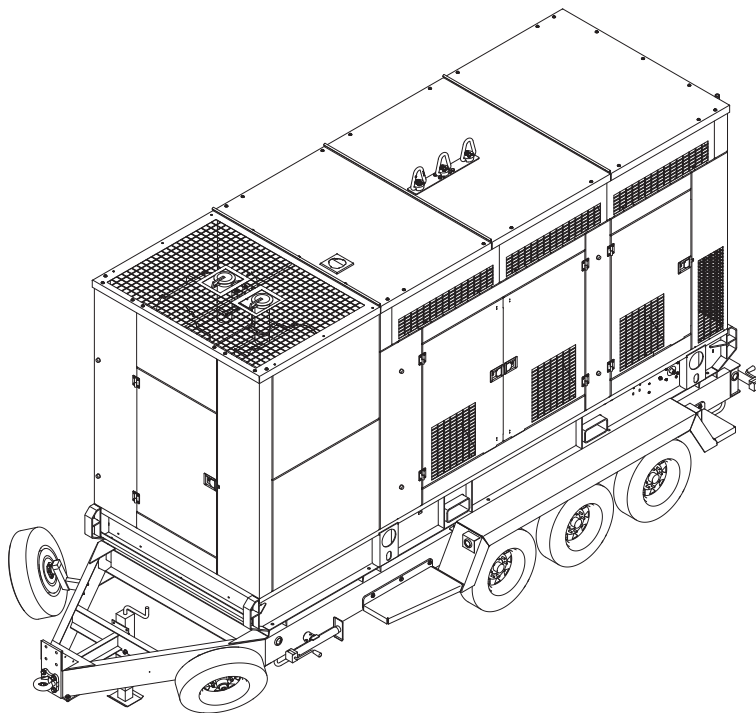


# *Owner's Manual*

*For*  
*Gaseous Generator*  
**MGG450**



For technical assistance contact:  
[www.generacmobileproducts.com](http://www.generacmobileproducts.com)  
Technical Support  
1-800-926-9768

***SAVE THIS MANUAL FOR FUTURE REFERENCE***

---

## Use this page to record important information about your Mobile Generator

Unit Model Number	
Unit Serial Number	
Engine Model Number	
Engine Serial Number	
Generator Model Number	
Generator Serial Number	
Date Purchased	

Record the information found on your unit data label on this page. See ***Unit and Serial Number Locations***.

Engine and generator serial numbers are located on separate data plates affixed to the engine and generator respectively.

When contacting a Generac Mobile Products Authorized Service Dealer (GMP ASD) about parts and service, always supply the complete model number and serial number of the unit.

**Operation and Maintenance:** Proper maintenance and care of the generator ensures a minimum number of problems and keeps operating expenses at a minimum. It is the operator's responsibility to perform all safety checks, to verify that all maintenance for safe operation is performed promptly, and to have the equipment checked periodically by a GMP ASD. Normal maintenance, service and replacement of parts are the responsibility of the owner/operator and, as such, are not considered defects in materials or workmanship within the terms of the warranty. Individual operating habits and usage may contribute to the need for additional maintenance or service.

 **WARNING**

**CANCER AND REPRODUCTIVE HARM**

[www.P65Warnings.ca.gov](http://www.P65Warnings.ca.gov)

(000393a)

# Table of Contents

## Introduction and Safety

Introduction .....	1
Read This Manual Thoroughly .....	1
How to Obtain Service .....	1
Safety Rules .....	1
General Hazards .....	2
Explosion and Fire Hazards .....	2
Trailer Hazards .....	2
Electrical Hazards .....	3
Battery Hazards .....	3

## General Information

Component Locations .....	5
Specifications .....	6
Emissions Information .....	7
Unit and Serial Number Locations .....	7
Digital Controller .....	7
Cold Weather Starting Aids (Shore Power) .....	7
Control Panel .....	8
Fuel Selection Screen .....	8
Engine Knock Intensity Screen .....	9
Ignition Secondary Voltage Display Screen .....	9
Setting the Controller Date and Time .....	9
Dual Fuel System .....	9
Natural Gas (Well Gas) Fuel System .....	11
LP Liquid Withdrawal Fuel System .....	11
Generator Features .....	11
Generator and Load Compatibility .....	11
Engine/Generator Protective Devices .....	11
Containment Pan .....	11
Battery Disconnect Switch .....	11
Lifting the Unit .....	12
Single Point Lift .....	12
Four Point Lift .....	12
Fork Pockets .....	12

## Operation

Generator Set Up .....	13
Well Site Approval .....	13
Natural Gas Connections .....	13
LP Liquid Connections (Liquid Withdrawal System) .....	14
Fuel Scrubbing System .....	15
System Set Up .....	15
Electrical Connections .....	15
Prestart Checklist .....	15
Starting the Generator .....	16
Automatic Fuel Switching .....	16

Natural Gas Only Operation .....	16
Non-Commercial (Well Gas) Only Operation ..	16
LP Liquid Only Operation .....	17
Gaseous and LP Liquid (Automatic mode) Operation .....	17
50 Hz Operation .....	17
Operation Checks .....	17
Overcrank Shutdown .....	18
Emergency Stop Switch .....	18
Engine Oil Replenishment System .....	18
Generator Output Connections .....	18
Customer Convenience Receptacles .....	19
Main Circuit Breaker .....	19
Circuit Breaker Box .....	19
Frame Ground Connection .....	19
Paralleling Startup .....	20
Parallel MGG450 to Another MGG Genset .....	20
Parallel MGG450 to Other Gensets .....	20
Paralleling Shutdown .....	20
General Wiring Considerations .....	21
Derating .....	21
Towing the Trailer .....	22
Trailer Wheel Bearings .....	22

## Maintenance

Disabling Generator for Maintenance .....	23
Maintenance .....	23
Basic Maintenance Schedule .....	24
Daily Walk Around Inspection .....	24
Engine Oil Recommendations .....	24
Check Engine Oil Level .....	25
Changing the Oil .....	25
Coolant Recommendation .....	25
Adding Coolant .....	26
Resetting Service Timers .....	26
Battery Inspection .....	26
Battery Installation and Replacement .....	27
Other Maintenance Checks .....	27
Jack Maintenance .....	27
Side-Wind Models .....	27
Top-Wind Models .....	28
Trailer Wheel Bearings .....	28
Fuel Scrubbing System .....	28
Operation .....	28
Pressure Settings .....	29
Automatic Filtration .....	29
Replacing the Filter .....	29
Air Filter Drain Inspection .....	29

---

Air Filter Minder Inspection .....	29
Cold Weather Kit (if equipped) .....	29
Operation .....	30
<b>Troubleshooting</b>	
General Troubleshooting Guide .....	31
Digital Controller Troubleshooting Guide .....	32
Digital Controller Alarm Abbreviations .....	33
Digital Controller List of Alarms .....	35
<b>Wiring Diagrams and Service Log</b>	
DC Controls (Page 1 of 6) .....	43
DC Controls (Page 2 of 6) .....	44
DC Controls (Page 3 of 6) .....	45
DC Controls (Page 4 of 6) .....	46
DC Controls (Page 5 of 6) .....	47
DC Controls (Page 6 of 6) .....	48
Relay Connections .....	49
AC Connections .....	50
Control Panel Layout .....	51
Control Faceplate .....	52
CAN Wiring .....	53
Receptacle .....	54
Service Log .....	55

# Section 1 Introduction and Safety

## Introduction

Thank you for purchasing a Generac Mobile Products LLC product. This unit has been designed to provide high-performance, efficient operation, and years of use when maintained properly.

The information in this manual is accurate based on products produced at the time of publication. The manufacturer reserves the right to make technical updates, corrections, and product revisions at any time without notice.

## Read This Manual Thoroughly



### **WARNING**

Consult Manual. Read and understand manual completely before using product. Failure to completely understand manual and product could result in death or serious injury. (000100a)

If any section of this manual is not understood, contact your nearest Generac Mobile Authorized Service Dealer (GMP ASD), or contact Generac Mobile Technical Service at 1-800-926-9768 or [www.generacmobileproducts.com](http://www.generacmobileproducts.com) with any questions or concerns.

This manual must be used in conjunction with all other supporting product documentation supplied with the product.

SAVE THESE INSTRUCTIONS for future reference. This manual contains important instructions that must be followed during placement, operation, and maintenance of the unit and its components. Always supply this manual to any individual that will use this unit, and instruct them on how to correctly start, operate, and stop the unit in case of emergency.

## How to Obtain Service

When the unit requires servicing or repairs, contact a GMP ASD for assistance. Service technicians are factory-trained and are capable of handling all service needs. For assistance locating a dealer, go to <https://www.generacmobileproducts.com/parts-service/find-service>.

When contacting a GMP ASD about parts and service, always supply the complete model and serial number of the unit as given on the data decal located on the unit. Record the model and serial numbers in the spaces provided on the front cover of this manual.

## Safety Rules

The manufacturer cannot anticipate every possible circumstance that might involve a hazard. The alerts in this manual, and on tags and decals affixed to the unit, are not all inclusive. If using a procedure, work method, or operating technique that the manufacturer does not specifically recommend, verify that it is safe for others and does not render the equipment unsafe.

Throughout this publication, and on tags and decals affixed to the unit, DANGER, WARNING, CAUTION, and NOTE blocks are used to alert personnel to special instructions about a particular operation that may be hazardous if performed incorrectly or carelessly. Observe them carefully. Alert definitions are as follows:

### **DANGER**

Indicates a hazardous situation which, if not avoided, will result in death or serious injury.

(000001)

### **WARNING**

Indicates a hazardous situation which, if not avoided, could result in death or serious injury.

(000002)

### **CAUTION**

Indicates a hazardous situation which, if not avoided, could result in minor or moderate injury.

(000003)

**NOTE:** Notes contain additional information important to a procedure and will be found within the regular text of this manual.

These safety alerts cannot eliminate the hazards that they indicate. Common sense and strict compliance with the special instructions while performing the action or service are essential to preventing accidents.

The operator is responsible for proper and safe use of the equipment. The manufacturer strongly recommends that if the operator is also the owner, to read the owner's manual and thoroughly understand all instructions before using this equipment. The manufacturer also strongly recommends instructing other users on how to properly start and operate the unit. This prepares them if they need to operate the equipment in an emergency.

## General Hazards



### ⚠ DANGER

Asphyxiation. Running engines produce carbon monoxide, a colorless, odorless, poisonous gas. Carbon monoxide, if not avoided, will result in death or serious injury. (000103)



### ⚠ WARNING

Hearing Loss. Hearing protection is recommended when using this machine. Failure to wear hearing protection could result in permanent hearing loss. (000107)



### ⚠ WARNING

Vision Loss. Eye protection is required to avoid spray from spark plug hole when cranking engine. Failure to do so could result in vision loss. (000181)



### ⚠ WARNING

Moving Parts. Keep clothing, hair, and appendages away from moving parts. Failure to do so could result in death or serious injury. (000111)



### ⚠ WARNING

Hot Surfaces. When operating machine, do not touch hot surfaces. Keep machine away from combustibles during use. Hot surfaces could result in severe burns or fire. (000108)



### ⚠ WARNING

Loss of life. This product is not intended to be used in a critical life support application. Failure to adhere to this warning could result in death or serious injury. (000209b)

### ⚠ CAUTION

Equipment or property damage. Do not block air intake or restrict proper air flow. Doing so could result in unsafe operation or damage to unit. (000229)

## Explosion and Fire Hazards



### ⚠ DANGER

Explosion and Fire. Fuel and vapors are extremely flammable and explosive. Add fuel in a well ventilated area. Keep fire and spark away. Failure to do so will result in death or serious injury. (000105)



### ⚠ WARNING

Risk of Fire. Unit must be positioned in a manner that prevents combustible material accumulation underneath. Failure to do so could result in death or serious injury. (000147)

## Trailer Hazards

### ⚠ WARNING

Personal injury. Trailer must be securely coupled to the hitch with the chains correctly attached. Uncoupled or unchained towing could result in death or serious injury. (000233a)

### ⚠ WARNING

Personal injury. Do not operate unit during transport. Doing so could result in death, serious injury, or property damage. (000231a)

### ⚠ WARNING

Crushing hazard. Verify unit is properly secured and on level ground. An unsecured unit can suddenly roll or move, causing death or serious injury. (000234a)

### ⚠ WARNING

Property or Equipment Damage. Tighten wheel lug nuts after first 50 miles to factory specifications. Failure to do so could result in death, serious injury, property or equipment damage. (000235)

## Electrical Hazards



**⚠ DANGER**

Electrocution. In the event of electrical accident, immediately shut power OFF. Use non-conductive implements to free victim from live conductor. Apply first aid and get medical help. Failure to do so will result in death or serious injury. (000145)



**⚠ DANGER**

Electrocution. Water contact with a power source, if not avoided, will result in death or serious injury.

(000104)



**⚠ DANGER**

Electrocution. Contact with bare wires, terminals, and connections while generator is running will result in death or serious injury.

(000144)



**⚠ DANGER**

Electrocution. Verify electrical system is properly grounded before applying power. Failure to do so will result in death or serious injury.

(000152)



**⚠ DANGER**

Electrocution. Turn utility supply OFF before working on utility connections of the transfer switch. Failure to do so will result in death or serious injury.

(000123)



**⚠ DANGER**

Electrocution. Never connect this unit to the electrical system of any building unless a licensed electrician has installed an approved transfer switch. Failure to do so will result in death or serious injury.

(000150)

## Battery Hazards



**⚠ DANGER**

Electrocution. Do not wear jewelry while working on this equipment. Doing so will result in death or serious injury.

(000188)



**⚠ WARNING**

Explosion. Batteries emit explosive gases while charging. Keep fire and spark away. Wear protective gear when working with batteries. Failure to do so could result in death or serious injury.

(000137a)



**⚠ WARNING**

Explosion. Do not dispose of batteries in a fire. Batteries are explosive. Electrolyte solution can cause burns and blindness. If electrolyte contacts skin or eyes, flush with water and seek immediate medical attention.

(000162)



**⚠ WARNING**

Risk of burn. Do not open or mutilate batteries. Batteries contain electrolyte solution which can cause burns and blindness. If electrolyte contacts skin or eyes, flush with water and seek immediate medical attention.

(000163a)

**⚠ WARNING**

Environmental Hazard. Always recycle batteries at an official recycling center in accordance with all local laws and regulations. Failure to do so could result in environmental damage, death, or serious injury.

(000228)

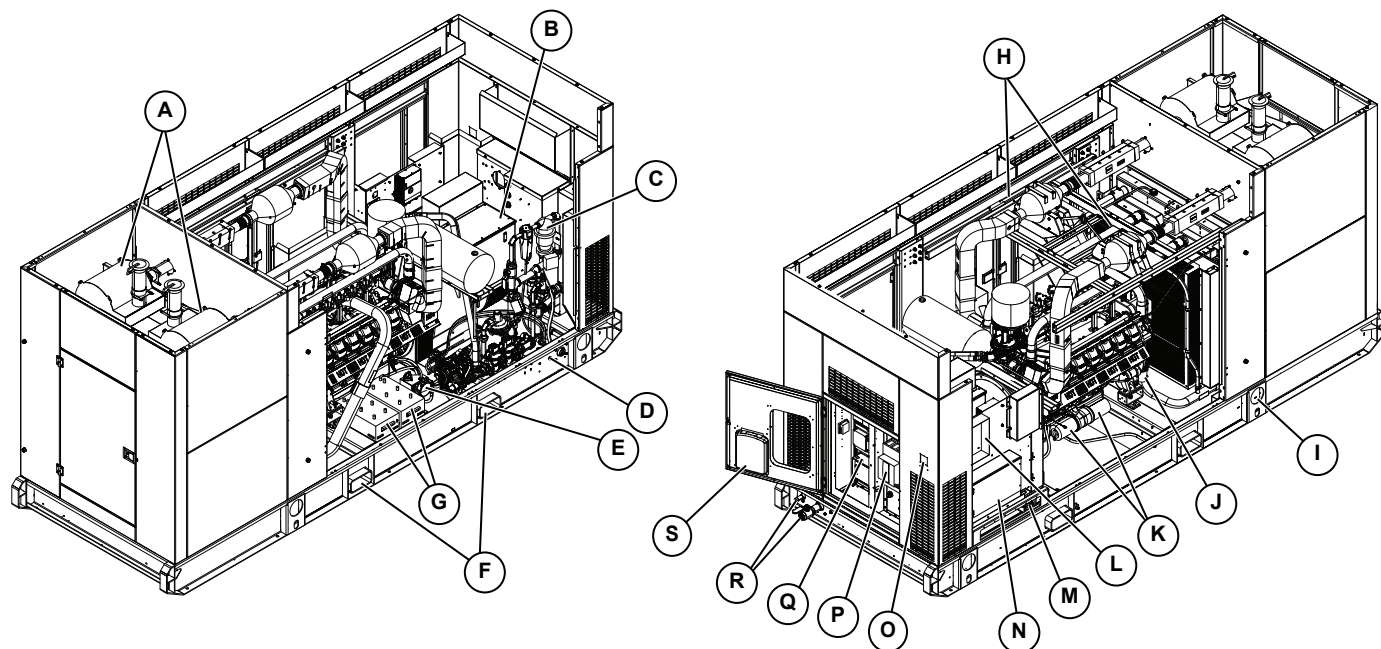
Always recycle batteries in accordance with local laws and regulations. Contact your local solid waste collection site or recycling facility to obtain information on local recycling processes. For more information on battery recycling, visit the Battery Council International website at: <http://batteryCouncil.org>

**This page intentionally left blank.**



# Section 2 General Information

## Component Locations



001429

Figure 2-1. Features and Controls

Table 2-1. Generator Components

<b>A</b>	Exhaust pipe (2)	<b>K</b>	Engine oil filter (2)
<b>B</b>	Oil reservoir	<b>L</b>	Load center
<b>C</b>	Scrubbing unit	<b>M</b>	Black start (power in)
<b>D</b>	Scrubbing unit drain	<b>N</b>	Generator output connections
<b>E</b>	Oil leveler	<b>O</b>	Emergency stop button
<b>F</b>	Forklift pockets	<b>P</b>	Main circuit breaker
<b>G</b>	Battery (2)	<b>Q</b>	Control panel
<b>H</b>	Catalyst (2)	<b>R</b>	Fuel inlets (3/8 in LP fuel inlet and 2 in gaseous fuel inlet)
<b>I</b>	Lifting eyes	<b>S</b>	Manual holder
<b>J</b>	Oil makeup filter		

## Specifications

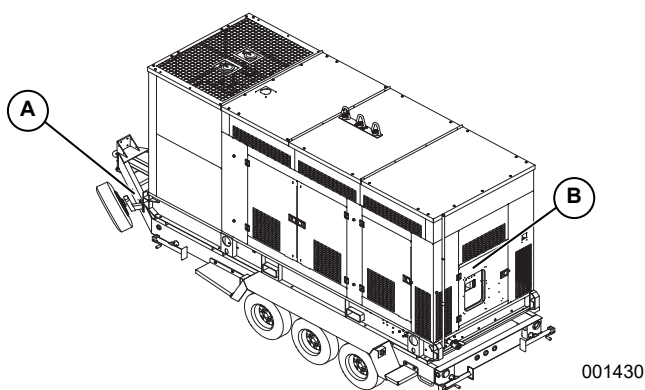
Description	Units	60 Hz	50 Hz
<b>Engine</b>			
Rated Engine Power Output—Continuous	hp (kW)	465 (347)	
Rated Engine Power Output—Prime	hp (kW)	558 (416)	
Operating Speed	rpm	1800	1500
Displacement	in <sup>3</sup> (L)	1336.42 (21.9)	
Fuel Consumption NG—100% Prime	ft <sup>3</sup> /hr (m <sup>3</sup> /hr)	4563 (129.2)	
Fuel Consumption NG—100% Continuous	ft <sup>3</sup> /hr (m <sup>3</sup> /hr)	3992 (113.1)	
Fuel Consumption LP—100% Prime	ft <sup>3</sup> /hr (m <sup>3</sup> /hr)	4374 (124.0)	
Fuel Consumption LP—100% Continuous	ft <sup>3</sup> /hr (m <sup>3</sup> /hr)	4374 (124.0)	
<b>Generator</b>			
Power Output 3Ø Prime	kW (kVA)	360 (450)	288 (360)
Power Output 3Ø Continuous	kW (kVA)	300 (375)	240 (300)
Power Output 3Ø Prime	Ampere	541	520
Power Output 3Ø Continuous	Ampere	451	433
Rotor Insulation	—	Class H rated	
Stator Insulation	—	Class H rated	
<b>AC Distribution</b>			
Circuit Breaker Size	Ampere	600	
Available Voltage—Three-Phase	Volt	277 / 480	231 / 400
<b>Battery</b>			
Battery Type—Group Number	—	8D	
Battery Voltage	system voltage (quantity per unit)	12V (2)	
Battery Rating	amp-hours (CCA)	225 (1,100)	
<b>Weights</b>			
Operating Weight—Skid Mounted	lbs (kg)	12,110 (5493)	
Operating Weight—Trailer Mounted	lbs (kg)	15,281 (6931)	
<b>Dimensions</b>			
Skid Mounted (L x W x H)	in (m)	204 x 72 x 101 (5.18 x 1.83 x 2.57)	
Trailer Mounted (L x W x H)	in (m)	253 x 102 x 131 (6.43 x 2.59 x 3.33)	
<b>Capacities</b>			
Coolant (including engine)	gal (L)	92 (87)	
Oil (including filter and reservoir tank)	gal (L)	38 (144)	
<b>Trailer</b>			
Hitch	—	3 in lunette ring	
Maximum Tire Pressure	psi (kPA)	105 (724)	
<i>Specifications are subject to change without notice. Refer to the product specification sheet for complete list.</i>			

## Emissions Information

The United States Environmental Protection Agency (US EPA) requires that this engine/equipment complies with exhaust emissions standards. Locate the emissions compliance decal on the engine to determine applicable standards. For emissions warranty information, please reference the included emissions warranty. It is important to follow the maintenance specifications in the manual to ensure that the engine complies with the applicable emissions standards for the duration of the product's life.

## Unit and Serial Number Locations

See [Figure 2-2](#) to locate the unit ID tag (A) and Vehicle Identification Number (VIN) tag (B). Important information, such as the unit model number, serial number, VIN and tire loading information is found on these tags. Record the information from these tags so it is available if the tags are lost or damaged. When ordering parts or requesting assistance, you may be asked to provide this information.



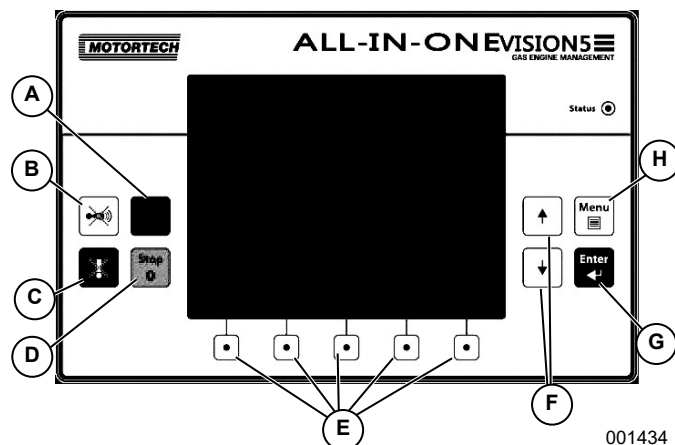
**Figure 2-2. Unit and Serial Number Locations**

## Digital Controller

The MGG450 is equipped with a Motortech® All-In-One controller that monitors the unit and indicates operational status and fault conditions. The unit leaves the factory with the controller warning set at 105% load and shutdown set at 110% load.

The controller constantly monitors vital generator and engine functions for a number of preprogrammed alarm and fault conditions. When a fault condition occurs, the engine can shut down automatically and the display screen will show the fault that caused the shut down. The fault condition must be resolved to resume unit operation.

This controller records a history of unit performance, which may be viewed at any time and will not be lost when the controller is powered down.



**Figure 2-3. Digital Controller Features**

- A Alarm Mute:** Silences horn (audible alarm).
- B Engine Start:** Starts generator when MANUAL (MAN) mode is selected.
- C Alarm Acknowledgment:** Clears active alarms from alarm list page, alarm is still in history record.
- D Engine Stop:** Initiates stop sequence, press during stop sequence to skip stop sequence.
- E Multi-Function Buttons:** Function depends on screen display above button.
- F Up and Down Arrows:** Scrolls through display screens, alarms, or history events, and adjusts a selected setpoint value.
- G Enter Button:** Inputs setpoint value or highlighted menu selection.
- H Menu Button:** Opens menu options. Press again to close menu.

**NOTE:** For more detailed controller information, refer to the controller operator guide included with the unit.

## Cold Weather Starting Aids (Shore Power)

The unit is designed to facilitate starting in cold weather with aids powered by an external power source, typically a 15kW or larger portable generator. The unit is equipped with a 50A male twist-lock connection point to connect shore power to the unit. The shore power is routed to the load center, where it is distributed to the following starting aids by switching the circuit breakers (see [Figure 3-3](#) for load center location):

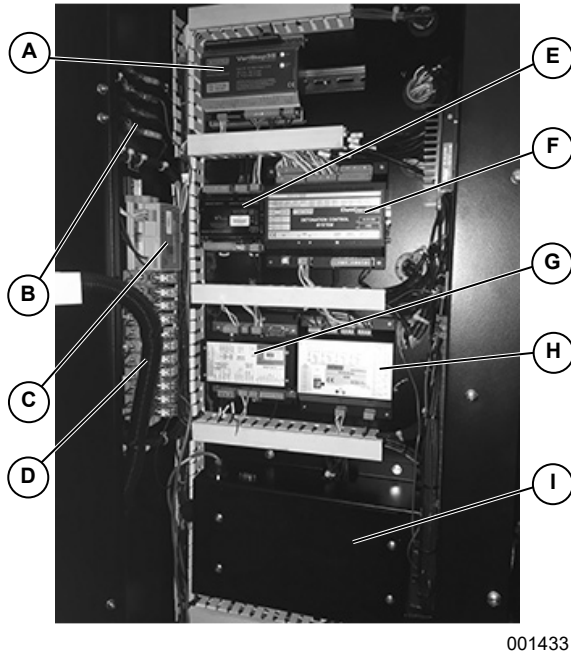
- Battery heater
- Battery charger
- Jacket water heater
- Oil heater

At temperatures below 40 °F (4 °C) engage all starting aids for at least 30 minutes or until coolant temperature reaches a minimum of 40 °F (4 °C) before starting the unit. Disengage starting aids before starting the unit.

## Control Panel

**IMPORTANT NOTE:** Replace fuse only with the same recommended type and rating.

See **Figure 2-4** for control panel component locations and descriptions.



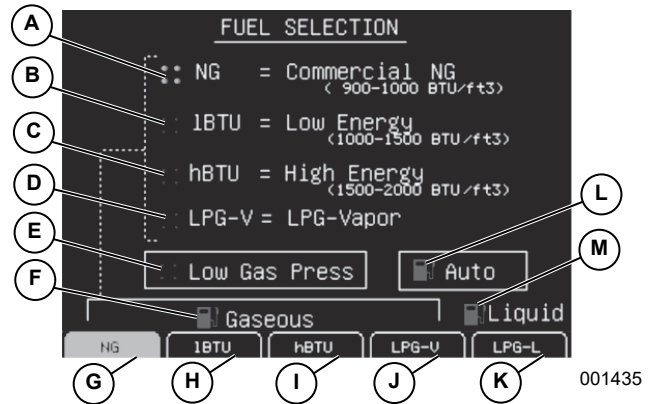
**Figure 2-4. Control Box**

- A Varistep3:** Controls mixer stepper motor.
- B Fuses:** Protect the control panel wiring and components from damaging overload.
- C NT-converter module:** Controls analog load sharing.
- D Relays:** Open and close electrical circuits.
- E IO8/8:** Offers binary inputs and outputs for the controller.
- F DetCon:** Protects engine from damage caused by knocking combustion.
- G ECON-4:** Controls engine speed.
- H AIN8:** Analog input device.
- I AIO-NTC-BB (located behind panel):** Main controller.

## Fuel Selection Screen

The fuel selection screen is the second metering screen and allows the user to select the generator fuel type. **Figure 2-5** shows NG has been selected by the operator.

**NOTE:** It is the customer's responsibility to select the proper operating fuel using the site certification/gas analysis data.



**Figure 2-5. Fuel Selection Screen**

- A** Indicates commercial natural gas fuel operation has been selected.
- B** Indicates low energy (lower heating value or BTU/ft<sup>3</sup>) non-commercial fuel has been selected.
- C** Indicates high energy (higher heating value or BTU/ft<sup>3</sup>) non-commercial fuel has been selected.
- D** Indicates LPG-Vapor fuel operation has been selected
- E** Indicates gaseous fuel supply pressure is low.
- F** Indicates unit is currently operating on a gaseous fuel source.
- G** User specified selection of commercial NG fuel.
- H** User specified selection of low-energy (lower heating value or BTU/ft<sup>3</sup>) non-commercial fuel.
- I** User specified selection of high-energy (higher heating value or BTU/ft<sup>3</sup>) non-commercial fuel.
- J** User specified selection of HD-5 grade LPG-vapor fuel.
- K** Soft key (button below screen) user specified selection of liquid-LPG fuel.
- L** Indicates the fuel selection mode. Grey indicates unit is not in auto (will not automatically switch to LPL if there is a loss of NG pressure), yellow indicates unit is in auto, green indicates unit is in auto and running on the specified fuel (gaseous or liquid).
- M** Indicates the unit is currently operating on a liquid-LPG fuel source.

## Engine Knock Intensity Screen

Engine knock, or detonation, is caused by poor fuel quality and subsequent spontaneous ignition within the cylinder. While most engines experience some knock during normal operation. If severity and duration are excessive, this can lead to engine damage. The MGG450 is equipped with knock sensors on every cylinder to detect and protect the engine from damaging knock conditions.

When knocking intensity reaches 32%, the engine controls will automatically modify timing, fuel-to-air ratio, and other parameters to minimize the negative effects of knock.

**NOTE:** If cylinders consistently show above average knock (32% or greater), consult your local GMP ASD.

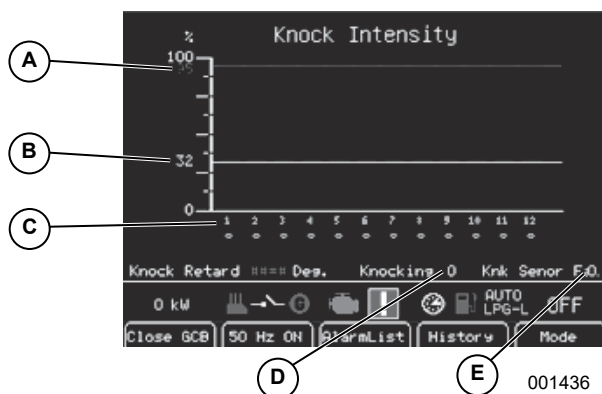


Figure 2-6. Knock Intensity Screen

- A Max engine knock indicator (95%):** Levels of normalized engine knock above this will cause a unit shutdown.
- B Normal engine knock indicator (<32%):** Levels of normalized engine knock above this will cause a warning as engine automatically adjusts.
- C Engine cylinder number:** Indicates the cylinder associated with the knocking values.
- D Engine knock monitor status:** Level 0 indicates engine has no knock. Level 1 (ON) indicates current knock status only while unit is operating.
- E Sensor failure indicator:** Level 0 indicates all knock sensors are functional. Level 1 indicates knock sensor has failed (Only applies to currently operating unit).

## Ignition Secondary Voltage Display Screen

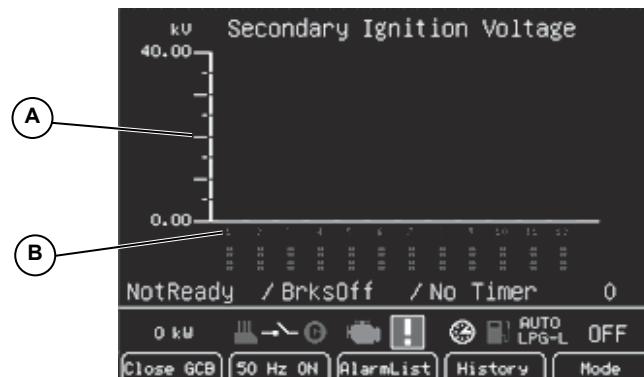


Figure 2-7. Ignition Secondary Voltage Display

- A** Secondary ignition voltage
- B** Engine cylinder number

## Setting the Controller Date and Time

To set clock on the digital controller:

1. Press MENU.
2. Select Setpoints>Date/Time>Time.
3. Press ENTER.
4. Adjust settings by using the up and down arrows.
5. Press ENTER.

## Dual Fuel System

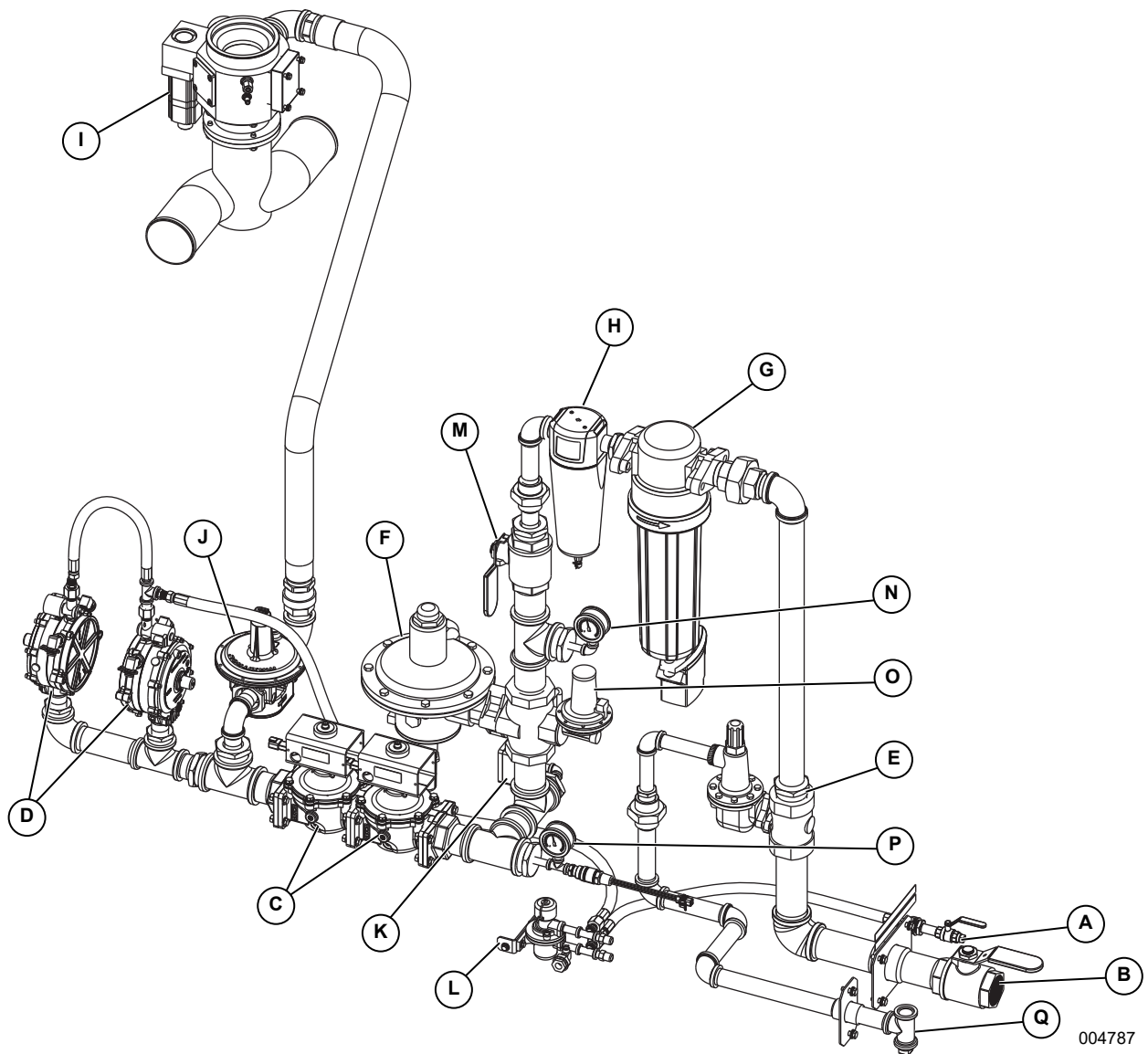


**⚠ DANGER**

Explosion and Fire. Fuel and vapors are extremely flammable and explosive. Keep fire and spark away. Failure to do so will result in death or serious injury. (000168)

See [Figure 2-8](#). The dual fuel system allows the unit to run on either natural gas (primary) or LP liquid (secondary, if equipped). In the event that the primary source becomes unavailable, the unit will automatically switch to the secondary source and can do so while in operation.

**IMPORTANT NOTE:** Comply with all laws regulating the storage and handling of fuels.



004787

Figure 2-8. Fuel System

Table 2-2. Fuel System Components

<b>A</b>	3/8 in. LP fuel inlet / shut-off valve	<b>J</b>	Zero pressure regulator (demand regulator)
<b>B</b>	2 in NG fuel inlet / shut-off valve	<b>K</b>	NG pressure sensor
<b>C</b>	NG solenoids (2)	<b>L</b>	LPL lock-off valve
<b>D</b>	LP vaporizers (2)	<b>M</b>	Service shut-off valve
<b>E</b>	Primary pressure regulator	<b>N</b>	Main pressure gauge
<b>F</b>	Secondary pressure regulator	<b>O</b>	Overpressure lock out device
<b>G</b>	Cyclonic separator	<b>P</b>	Secondary pressure gauge
<b>H</b>	Coalescing filter	<b>Q</b>	Overpressure relief vent
<b>I</b>	Mixer		

## Natural Gas (Well Gas) Fuel System

Natural gas is supplied from a utility supply line or well site in its vapor state. The vapor enters the 2 in. fuel inlet located on the back end of the unit frame. See [Fuel Scrubbing System](#) for more information.

## LP Liquid Withdrawal Fuel System

This unit is equipped to operate on HD-5 or HD10 LP, using liquid withdrawal. A single connection point located on the skid distributes liquid LP to two vaporizers where the liquid LP is converted to vaporized LP.

**IMPORTANT NOTE:** Never attempt to operate the unit using vapor withdrawal LP.

## Generator Features

The generator is a revolving field, alternating current type generator set. The generator is designed to supply electrical power for the operation of compatible electrical loads.

The revolving field is directly connected to, and driven by an engine by means of flexible discs. Generators with a four-pole rotor are driven at a rated speed of 1800 rpm to supply a frequency of 60 Hz, and 1500 rpm to supply a frequency of 50 Hz.

Refer to the data label affixed to the generator for rated AC voltage, wattage, amperage and number of phases.

**NOTE:** Refer to the product spec sheet for complete list of features.

## Generator and Load Compatibility

Generator must be fully compatible with the rated voltage, phase rotation, and frequency of the connected electrical loads. The generator, connected electrical devices, or both, can be damaged if voltage, phase, and frequency are not compatible.

## Engine/Generator Protective Devices

This unit has numerous sensors to provide the control system with the information it needs to protect both the engine and generator. The control panel is designed to shut down the engine if potentially damaging conditions occur. These conditions can include low oil pressure, high coolant temperature, low coolant level, engine overspeed, over or under voltage, over or under frequency, etc. These settings are configured at the factory and can be changed/adjusted by a GMP ASD, if required.

## Containment Pan

The unit is equipped with a containment pan to catch engine fluids in the event of a failure. The containment pan is sloped to facilitate draining through the drain hole located in pan. To empty drain pan:

1. Remove external drain plug at frame rail.
2. Attach a hose barb and hose to external drain bung. It is recommended that a pump be used to draw fluids into an appropriate storage container.
3. Remove internal drain plug in drain pan.
4. Dispose of fluids according to all local rules and regulations.

## Battery Disconnect Switch

The unit is equipped with a battery disconnect switch which allows the operator to disconnect power from the batteries by turning the switch OFF.

**NOTE:** The battery disconnect switch does not cut power from the main circuit breaker motor operator or the remote monitoring circuit.

## Lifting the Unit



### ⚠️ WARNING

Personal injury. Failure to properly connect lifting cables, chains, or straps could result in death, serious injury, or property damage.

(000346)

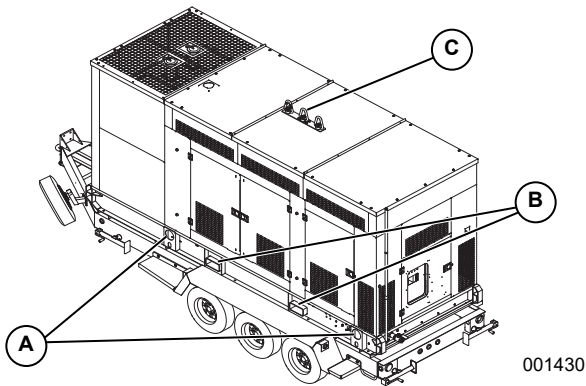
### ⚠️ WARNING

Personal Injury. Verify all fasteners are properly tightened prior to lifting unit. Failure to do so could result in death, serious injury, or property damage.

(000351)

The unit is capable of being lifted by **Single Point Lift**, **Four Point Lift** or **Fork Pockets**.

Units are often lifted during times of repair, and therefore the lifting operator must be aware of any changes that may affect the center of gravity (CG), including, but not limited to, removal and addition of system components such as engine or generator. Installation drawings show the lifting points and the CG location for rigging and lifting purposes. Always attach lifting and rigging devices at the designated points on the generator set. Do not use the lifting points of the engine or alternator to lift the unit. See **Figure 2-9**.



**Figure 2-9. Lifting Points**

- A** Lifting eye (4)
- B** Forklift pockets (4)
- C** Center hoist ring

## Single Point Lift

### ⚠️ WARNING

Personal Injury. Do not use lifting hook if there are signs of damage or corrosion. Doing so could result in death, serious injury, or property damage.

(000349)

### ⚠️ WARNING

Personal Injury. Do not use lifting hook other than as directed. Failure to do so could result in death, serious injury, or property damage.

(000350)

The unit has three hoist rings located on top of the unit. The center hoist ring is the main attachment point and the forward and aft are for redundancy. Only lift the unit with a crane rated to lift the entire unit. Visually inspect the hoist ring before each use. Apply load slowly. Do not use oversized hooks that might spread the hoist ring. Do not attach guidelines to the hoist ring.

## Four Point Lift

Use only personnel experienced with rigging, lifting and moving heavy machinery.

The four point lift is designed for use with an adequately sized spreader bar (not included with equipment). Prior to attaching lifting equipment, verify all doors and access panels are closed and secured.

Never attempt to lift the unit without the use of a spreader bar, as damage to the unit will result.

## Fork Pockets

**IMPORTANT NOTE:** Only lift the unit with a fork truck that is properly rated to lift this equipment. Use caution when terrain is uneven, and never exceed the capabilities of the fork truck. Refer to **Specifications** for weight and dimensions.

Lift only from the side. Avoid approaching the unit at an angle, as this can permanently damage the forklift pockets, tires, or cabinet. Verify any obstructions are clear of the forklift tines before lifting.



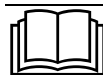
## Section 3 Operation

### Generator Set Up



#### ⚠ WARNING

Risk of Fire. Unit must be positioned in a manner that prevents combustible material accumulation underneath. Failure to do so could result in death or serious injury. (000147)



#### ⚠ WARNING

Consult Manual. Read and understand manual completely before using product. Failure to completely understand manual and product could result in death or serious injury. (000100a)

**NOTE:** The operation of this unit should only be performed by an authorized operator who has been properly trained by a GMP ASD. Contact your local GMP ASD for assistance in training authorized operators. Read the operating manual thoroughly and understand all instructions before operating the equipment.

The unit should be installed, serviced, tested, adjusted, and otherwise prepared for use by a GMP ASD. The owner is responsible for ensuring the unit's emission control system meets all applicable state and local regulations.

### Well Site Approval

A well gas chromatography analysis must be performed prior to installation of the unit. A copy of the test report must be sent to, and pre-approved by, Generac Mobile Products. If the unit is moved to a new location, a new well test must be performed. For more information, contact Generac Mobile Products Technical Service.

### Natural Gas Connections

**NOTE:** The unit can operate on 5-50 psig or 40-300 psig fuel supply pressure.

**NOTE:** Using the utility supply requires remove of main pressure gauge and shut off of the 2 in. ball valve directly upstream.

**NOTE:** Installer must verify that all fuel connections comply with all building codes.

Follow the steps below:

1. Apply pipe sealant to the NPT threads of the fitting at the end of the fuel line.

**NOTE:** Do not apply pipe sealant to flared (flanged) end of the fitting.

2. Connect fuel line to the two inch inlet, located on the right side of the unit's frame.
3. Verify all connections are sealed and no leaks are present.
4. Verify fuel supply pressure is adequate.

**IMPORTANT NOTE: Properly size piping based on site pressure.**

Formula Example (English):

If a unit has a 160 hp engine 60 feet from the supply, the engine needs 10,000 BTU/hr per hp to run efficiently. For natural gas fuel, there are 1015 BTU/ft<sup>3</sup>.

$$160 \text{ hp} \times 10,000 \text{ BTU/Hr per hp} = 1,600,000 \text{ BTU's / per hour for proper operation}$$

$$\frac{1,600,000}{1,015} = 1576 \text{ cubic feet per hour}$$

Formula Example (Metric):

If a unit has a 120 kWe output, the engine needs 3.4 times more fuel energy than electrical output to run efficiently. For natural gas fuel, there are 47 MJ/kg (32 MJ/m<sup>3</sup>).

$$120 \text{ kWe} \times 3.4 = 408 \text{ kW} = 408,000 \text{ W}$$

$$\frac{408,000 \text{ W}}{47,000,000 \text{ J/kg}} \times 3600 \frac{\text{s}}{\text{hr}} = 31.25 \frac{\text{kg}}{\text{hr}} = 45.9 \frac{\text{m}^3}{\text{hr}}$$

### LP Liquid Connections (Liquid Withdrawal System)

Use **Table 3-1** to determine the supply pipe size for LP liquid.

How to use chart:

1. Having determined the required flow at point of use, locate this flow in the left hand column. If this falls between two figures, use the larger of the two.
2. Determine total length of piping required from source to point of use.
3. Read across chart from left (required flow) to right to find the total length which is equal to, or exceeds, the distance from source to use.

From this point, read up to find the correct size of pipe required.

**Table 3-1. LP Liquid Line Sizing Chart**

Liquid Propane Flow	Iron Pipe Size in. (cm)													
	0.25 (0.64)		0.375 (0.95)		0.5 (1.27)		0.75 (1.91)		1.0 (2.54)		1.25 (3.18)		1.50 (3.81)	
	Schedule		Schedule		Schedule		Schedule		Schedule		Schedule		Schedule	
gal/hr (L/hr)	40	80	40	80	40	80	40	80	40	80	40	80	40	80
10 (38)	729 in. 1852 cm	416 in. 1057 cm	-	-	-	-	-	-	-	-	-	-	-	-
15 (57)	324 in. 823 cm	185 in. 470 cm	-	-	-	-	-	-	-	-	-	-	-	-
20 (76)	182 in. 462 cm	104 in. 264 cm	825 in. 2096 cm	521 in. 1323 cm	-	-	-	-	-	-	-	-	-	-
40 (151)	46 in. 117 cm	26 in. 66 cm	205 in. 521 cm	129 in. 328 cm	745 in. 1892 cm	504 in. 1280 cm	-	-	-	-	-	-	-	-
60 (227)	20 in. 51 cm	11 in. 28 cm	92 in. 234 cm	58 in. 147 cm	331 in. 841 cm	224 in. 569 cm	-	-	-	-	-	-	-	-
80 (303)	11 in. 28 cm	6 in. 15 cm	51 in. 130 cm	32 in. 81 cm	187 in. 475 cm	127 in. 323 cm	735 in. 1867 cm	537 in. 1364 cm	-	-	-	-	-	-
100 (379)	7 in. 18 cm	4 in. 10 cm	33 in. 84 cm	21 in. 53 cm	119 in. 302 cm	81 in. 206 cm	470 in. 1194 cm	343 in. 871 cm	-	-	-	-	-	-
120 (454)	-	-	23 in. 58 cm	15 in. 38 cm	83 in. 211 cm	56 in. 142 cm	326 in. 828 cm	238 in. 605 cm	-	-	-	-	-	-
140 (530)	-	-	15 in. 38 cm	9 in. 23 cm	61 in. 155 cm	41 in. 104 cm	240 in. 610 cm	175 in. 445 cm	813 in. 2065 cm	618 in. 1570 cm	-	-	-	-
160 (606)	-	-	13 in. 33 cm	8 in. 20 cm	47 in. 119 cm	32 in. 81 cm	184 in. 467 cm	134 in. 340 cm	623 in. 1582 cm	473 in. 1201 cm	-	-	-	-
180 (681)	-	-	-	-	37 in. 94 cm	25 in. 64 cm	145 in. 368 cm	106 in. 269 cm	491 in. 1247 cm	373 in. 947 cm	-	-	-	-
200 (757)	-	-	-	-	30 in. 76 cm	20 in. 51 cm	118 in. 300 cm	86 in. 218 cm	399 in. 1013 cm	303 in. 770 cm	-	-	-	-
240 (908)	-	-	-	-	21 in. 53 cm	14 in. 36 cm	81 in. 206 cm	59 in. 150 cm	277 in. 704 cm	211 in. 536 cm	-	-	-	-
280 (1060)	-	-	-	-	15 in. 38 cm	10 in. 25 cm	60 in. 152 cm	44 in. 112 cm	204 in. 518 cm	155 in. 394 cm	-	-	-	-
300 (1136)	-	-	-	-	13 in. 33 cm	9 in. 23 cm	52 in. 132 cm	38 in. 97 cm	177 in. 450 cm	135 in. 343 cm	785 in. 1994 cm	623 in. 1582 cm	-	-
350 (1325)	-	-	-	-	-	-	38 in. 97 cm	28 in. 71 cm	130 in. 330 cm	99 in. 251 cm	578 in. 1468 cm	459 in. 1166 cm	-	-
400 (1514)	-	-	-	-	-	-	30 in. 76 cm	22 in. 56 cm	99 in. 251 cm	75 in. 191 cm	433 in. 1100 cm	344 in. 874 cm	980 in. 2489 cm	794 in. 2017 cm

## Fuel Scrubbing System

This unit is equipped with a two-stage gas filtration system. Once the gas enters the unit at a minimum of 40 psi (276 kPa) and a maximum of 300 psi (2068 kPa), it goes through the primary pressure regulator. This will bring the gas pressure down to 30 psi (413 kPa). The gas will then go through the first stage of scrubbing in the cyclonic separator.

The second stage is the coalescing filter. This stage removes 99% of solid or liquid 0.01µm or larger. Both units are equipped with an automatic drain system which allows any particles removed from the gas stream to be evacuated from the generator through a port on the frame rail.

**IMPORTANT NOTE: Altering the fuel scrubbing system will void the warranty.**

**NOTE:** A minimum of 10 psi (68.95 kPa) is required in order for the auto drain ports to seal properly.

### System Set Up

The regulator is factory-set at 30 psi (413 kPa) prior to gas introduction. The 30 psi (413 kPa) setting is achieved by removing the adjustment screw protective cap and loosening the locknut. Output pressure is increased by turning the adjustment screw clockwise, while turning it counterclockwise decreases the outlet pressure. Use the downstream gauge to set the outlet pressure correctly.

Once the desired outlet pressure is achieved, the locknut should be tightened and the protective cap replaced.

### Electrical Connections



**▲ DANGER**

Electrocution. Do not wear jewelry while working on this equipment. Doing so will result in death or serious injury.

(000188)



**▲ DANGER**

Electrocution. Never connect this unit to the electrical system of any building unless a licensed electrician has installed an approved transfer switch. Failure to do so will result in death or serious injury.

(000150)

**▲ DANGER**

Explosion and fire. Connection of fuel source must be completed by a qualified professional technician or contractor. Incorrect installation of this unit will result in death, serious injury, and property and equipment damage.

(000151a)



**▲ DANGER**

Electrocution. Verify electrical system is properly grounded before applying power. Failure to do so will result in death or serious injury.

(000152)

Class 1 wiring methods must be used for field wiring connections to terminals of a class 2 circuit. It is the responsibility of the owner to arrange for these procedures to be performed by a licensed electrical contractor and verify conformance to all applicable codes, including local codes specific to your municipality/city/county and state. Wire size and insulation type must meet National Electrical Code (NEC) and local regulations.

**NOTE:** NEC requires the frame and exposed conductive surfaces (metal parts) be connected to an approved earth ground. Local regulations may also require proper grounding of generator systems. Check local regulations for generator system grounding requirements.

### Prestart Checklist

**▲ CAUTION**

Equipment damage. Always measure the alternator insulation resistance before operating unit in damp or humid conditions, and dry windings as needed. Failure to do so could result in genset and property damage.

(000153b)

- Verify battery disconnect switch is ON
- Verify unit is positioned stably
- Verify proper clearance exists on all sides and top of enclosure
- Verify unit is a safe distance from any flammable or combustible material
- Verify no load is connected to unit
- Verify there are no loose wires or components. Tighten if necessary
- Verify engine oil level is correct. Refer to engine manual if necessary
- Verify engine coolant level is correct. Refer to engine manual if necessary
- Verify controller is in STOP mode by pushing the STOP button
- Verify fuel valve is open and the pressure and flow rate are correct
- Remove all tools, rags, etc. from inside unit enclosure
- Verify enclosure doors are closed
- Verify unit is configured for the correct frequency and voltage for the installation site.

**NOTE:** Some installation environments are more corrosive than others. Be sure to follow all installation precautions, especially in high-humidity areas.

## Starting the Generator



### ⚠ DANGER

Explosion and Fire. Fuel and vapors are extremely flammable and explosive. Keep fire and spark away. Failure to do so will result in death or serious injury. (000168)

**NOTE:** After initial power on (after battery disconnect is switched from OFF to ON) the controller will display the following errors, which are normal during a controller power loss:

- Sd ECU
- Fuel Not Ready

The “Sd ECU” error can be cleared immediately and the “Fuel Not Ready” will clear automatically in 30 seconds. The user will be unable to start the unit during this time.

This unit is designed to operate on Natural Gas (NG), non-commercial fuels ranging in lower heating value from 1000 BTU/ft<sup>3</sup> (37,259 kJ/m<sup>3</sup>) to 2000 BTU/ft<sup>3</sup> (74,518 kJ/m<sup>3</sup>), or LP liquid. At oil well sites, LP liquid is typically used to start the unit until the pump jack brings the well gas (non-commercial fuel) up to the surface. In automatic mode, the unit’s fuel system will detect when there is sufficient pressure to switch to well gas as the primary fuel source.

### Automatic Fuel Switching

In automatic fuel selection mode, unit detects loss of gaseous fuel supply pressure and switches to LPG-liquid fuel operation. Unit will return to gaseous fuel supply operation when pressure has been present for more than 30 minutes. Current fuel operation is shown on fuel selection screen ([Figure 2-5](#)). If problems with the automatic fuel switch occur:

- Verify both NG and LPG-liquid fuels are present at fuel inlets
- Verify engine block coolant hose shut-off valves are open
- Verify pressure switch is set to 1.5-2 psi (10-14 kPa).
- Verify primary LPG-liquid shut-off valve filter screen is not plugged

## Natural Gas Only Operation

**Table 3-2. Gas Pressure**

Utility (without scrubbing system; not recommended for well gas use)	5 psi (34.5 kPa) minimum 50 psi (345 kPa) maximum*
Well Gas (with scrubbing system)	40 psi (276 kPa) minimum 300 psi (2068 kPa) maximum
* Requires that everything upstream from the 2 in. ball valve has been removed or bypassed.	

If there is sufficient pressure in the gaseous fuel inlet ([Table 3-2](#)), the unit can be started directly on natural gas:

1. Open the manual ball valve located just outside the frame.
2. Check for any leaks in the gas line.
3. Push the down arrow on the controller until you reach the fuel selection screen.
4. Push the soft key just below the NG ON display on the digital controller. Controller will illuminate the NG commercial fuel green.
5. Push the up arrow on display to return to home metering screen.
6. Push the soft key just below the mode label, select MANUAL mode, and press ENTER.
7. Push the START. If engine fails to start, see [General Troubleshooting Guide](#).

### Non-Commercial (Well Gas) Only Operation

If there is sufficient pressure in the gaseous fuel line ([Table 3-2](#)), the unit can be started directly on well gas (non-commercial):

1. Open the manual ball valve located just outside the frame.
2. Check for any leaks in the gas line.
3. Push the down arrow on the display to display the fuel selection screen.
4. Push the soft key just below the IBTU ON display for fuels with a lower heating value range of 1000-1500 BTU/ft<sup>3</sup> (55,888 kJ/m<sup>3</sup>), or press the hBTU ON button for fuels with a lower heating value range of 1500-2000 BTU/ft<sup>3</sup> (55,888-74,518 kJ/m<sup>3</sup>). If the fuel energy content is unknown, select hBTU ON and see step 8.

**NOTE:** Only one gaseous fuel selection can be selected at a time. Multiple selections will default to the fuel selection with higher energy content.

5. Push the up arrow to return to the home metering screen.
6. Push the soft key just below the mode label, select MANUAL mode and press ENTER.
7. Push START. If the engine fails to start, see [General Troubleshooting Guide](#).
8. If the fuel content is unknown and the engine did not start, select IBTU ON and turn off hBTU ON.

### LP Liquid Only Operation

If unit is to be operated only on LP liquid:

1. Check for leaks in the LP liquid line connection
2. Push the down arrow on the controller until it displays the fuel selection screen
3. Push the soft key just below the mode label, select MANUAL mode, then select LP Liquid and press Enter.
4. Push START. If engine fails to start, see [General Troubleshooting Guide](#).

### Gaseous and LP Liquid (Automatic mode) Operation

If there is sufficient pressure in the gaseous fuel line, the unit can be started directly on well gas (non-commercial):

1. Open the manual ball fuel valve located just inside the frame.
2. Check for any leaks in the gas line.
3. Push the down arrow on the controller until it displays the fuel selection screen.
4. Push the soft key for both the gaseous fuel selection and LP liquid operation. The AUTO mode indicator should illuminate.

**NOTE:** Only one gaseous fuel selection can be selected at a time. Multiple selections will default to the fuel selection with higher energy content.

5. Push the up arrow to return to the home metering screen.
6. Push the soft key just below the mode label, select MANUAL mode and press ENTER.
7. Push START. If engine fails to start, see [General Troubleshooting Guide](#).

### 50 Hz Operation

The MGG450 is capable of operating at either 60 Hz or 50 Hz. This is achievable by changing the basic settings of the generator, the AVR configuration and the ignition mode. The basic settings and ignition mode can be changed by pressing the “50 Hz ON” soft button at the bottom of the screen ([Figure 3-1](#), Item A). [Table 3-3](#) shows the factory values of the settings depending on whether the button is active or not.

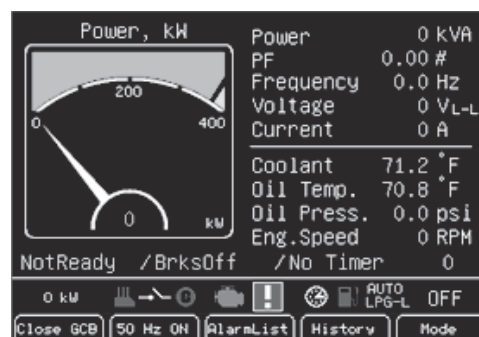


Figure 3-1. 50 Hz Operation

006353

Table 3-3. Factory Settings

Setpoint	60 Hz	50 Hz
Nomin power	365 kW	295 kW
Nomin current	575 A	550 A
GenNomV	277 V	231 V
GenNomVph-ph	480 V	400 V
BusNomV	277 V	231 V
BusNomVph-ph	480 V	400 V
Nominal freq	60 Hz	50 Hz
Nominal rpm	1,800 rpm	1,500 rpm

1. Shut the unit down.
2. Unlock the button (“50 Hz ON”) with a service passcode or higher to activate.

**NOTE:** If the unit is running when the button is pressed it will open the circuit breaker and initiate shutdown.

The controller will always give a warning as a reminder that the AVR (Automatic Voltage Regulator) needs to be configured. This should be cleared once the AVR has been configured.

The AVR used by the alternator must be reprogrammed for 50 Hz operation. The AVR is equipped with a type B USB female port and can be connected using the EasyReg software provided by Leroy Somer. Once connected, a 50 Hz file for the MGG450 must be uploaded to the AVR.

### Operation Checks

With engine running, check for the following:

- Fuel leaks. If a leak is detected, stop engine immediately by pushing STOP on controller. Repair leak before proceeding.

- Coolant or oil leaks. If a leak is detected, stop engine immediately and repair leak before proceeding.
- Smooth operation. If belt squeals, vibrations or other sources of noise exist, stop engine immediately and repair before proceeding.
- Correct voltage (line-to-line and line-to-neutral) at generator.
- Phase rotation is the same as attached equipment.



**WARNING**

Risk of burns. Do not open coolant system until engine has completely cooled. Doing so could result in serious injury.

(000154)

After operation checks are completed, stop engine by pushing STOP on controller. Wait for engine to cool. When engine is cool, check engine oil and coolant levels.

### Overcrank Shutdown

After a pre-specified duration of cranking, this function ends cranking if engine fails to start. The default settings are as follows:

- The generator will attempt to start (crank) three times.
- Each crank cycle lasts 15 seconds, followed by a 15 second pause to cool the starter.
- After three start attempts, controller alarm will sound and LCD window on controller will display “Start Fail Alarm”.

### Emergency Stop Switch

The emergency stop switch is located on the outside of the enclosure on the rear of the unit. Push the red button to stop engine. Switch will remain locked until button is pulled out to release.

**NOTE:** Use emergency stop switch only when unit must be shut down immediately. For any other shut down, see [Disabling Generator for Maintenance](#).

### Engine Oil Replenishment System

This unit is equipped with an engine oil replenishment system. The system eliminates the need for frequent filling and checking of the crankcase. The system consists of an oil reservoir tank and an oil level regulator. The regulator is mounted so the centerline of the sight glass is at the same height as the level of the oil in the crankcase. When the engine oil level is low, the float will trigger the reservoir tank to send fresh oil to the crankcase. The regulator delivers only that amount of oil required to maintain a constant oil level in the crankcase. A fine mesh screen in the regulator provides protection against damage by contaminants and abrasive foreign matter.

The regulator is pre-set to the correct level at the factory and should not require adjustment. See [Digital Controller](#) for more information.

### Generator Output Connections



**DANGER**

Electrocution. Do not wear jewelry while working on this equipment. Doing so will result in death or serious injury.

(000188)



**DANGER**

Electrocution. Never connect this unit to the electrical system of any building unless a licensed electrician has installed an approved transfer switch. Failure to do so will result in death or serious injury.

(000150)

**DANGER**

Explosion and fire. Connection of fuel source must be completed by a qualified professional technician or contractor. Incorrect installation of this unit will result in death, serious injury, and property and equipment damage. (000151a)



**DANGER**

Electrocution. Verify electrical system is properly grounded before applying power. Failure to do so will result in death or serious injury.

(000152)



**DANGER**

Electrocution. Do not disable or modify the connection box door safety switch. Doing so will result in death or serious injury.

(000157)



**DANGER**

Electrocution. Before connections are made to the unit, verify the main circuit breaker and battery disconnect switch are OFF. Failure to do so will result in death or serious injury. (000156)

**WARNING**

Electric shock. Only a trained and licensed electrician should perform wiring and connections to unit. Failure to follow proper installation requirements could result in death, serious injury, and equipment or property damage. (000155a)

The unit is equipped with bus bars, located behind the rear door on the right side of the unit (see [Figure 3-2](#)). The bus bars provide connection points for attachment of

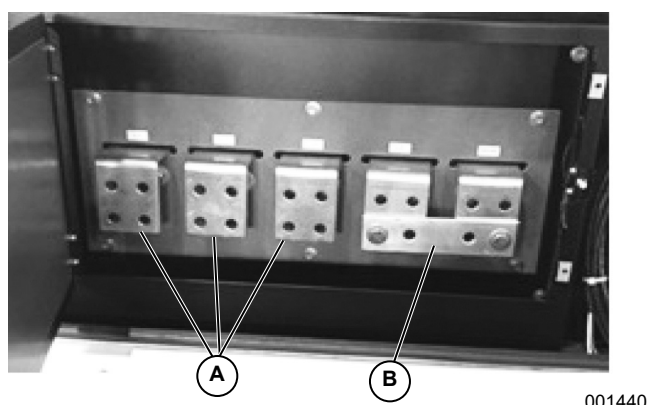
external loads to the generator.

Connections to the bus bars should be made by running the power cables up through the opening in the bottom of the box. Do not make any connections directly to the bus bars without routing the cables through the slot.

The door is equipped with a safety interlock switch that will trip the main circuit breaker and disable the voltage regulator if the door is opened while the unit is operating.

A ground connection is included. The generator neutral is bonded to ground when it is shipped from the factory. The bonding plate may need to be removed if the unit is used as a standby power source.

**IMPORTANT NOTE: Installation should be in compliance with the national electrical code (NEC), state and local regulations.**



001440

**Figure 3-2. Generator Output Connections**

- A** Bus bars
- B** Grounding lug

## Customer Convenience Receptacles

The unit is equipped with two 120VAC Ground Fault Circuit Interrupt (GFCI) receptacles, located inside the double doors on the right side of the unit. These receptacles are not routed through the main circuit breaker. Power is available any time the generator is running.

## Main Circuit Breaker

The main circuit breaker is located to the right of the control panel. When the breaker is in the open (O) position, power is interrupted between the bus connections and the generator. The input receptacles will continue to receive power, even when the main circuit breaker is open.

Once connections have been made to the bus bars and the generator has been started and allowed to reach normal operating conditions, pushing the “Open/Close Breaker” button on the controller will switch the main circuit breaker CLOSE.

**IMPORTANT NOTE: Do not use the buttons on the main circuit breaker to open or close the breaker. Only use the buttons on the controller. If the circuit breaker buttons are pressed, the unit will shutdown immediately. It is especially important to only use the controller when operating in a parallel configuration, as the controller will determine when the breaker can be opened and closed based on generator phase rotation and load levels.**

The main circuit breaker will be tripped, disconnecting power to the bus connections, if any of the following conditions occur while the unit is running:

- Overload of the generator circuits to the bus connections. At 105% load, there will be an audible warning. At 110% load, the breaker opens and power will be disconnected.
- The customer connection box door is opened.
- If the emergency stop switch is activated.

Verify any problems that cause the main circuit breaker to trip are corrected before returning the switch to the CLOSE (I) position.

## Circuit Breaker Box

The circuit breaker box is located on the right side of the unit. It contains five 20A breakers and two 15A breakers for unit equipment, relays, and GFCI receptacles.



001439

**Figure 3-3. Circuit Breaker Box**

## Frame Ground Connection

The NEC may require that the frame and exposed metal surfaces be at local ground reference potential to avoid electrical shock hazard. A local ground reference may require a driven earth ground conductor at the unit installation site. Make the ground connection to the ground lug located on the outside of the frame. Use the appropriate size wire as required by the NEC and local regulations.

Determine ground stud location and connect the ground wire to the “earth ground” terminal. This ground is the local reference ground to ground the unit frame only.

## Paralleling Startup

Up to 32 MGG450s of the same rated voltage and frequency can be operated in parallel without extra equipment for extended quantity paralleling. The total electrical load (real, kW, and reactive, kVAr) will be divided equally among all gensets connected.

**IMPORTANT NOTE: Verify all setup procedures have been performed prior to following the steps below. Refer to “Optimizing PID loop procedure”.**

### Parallel MGG450 to Another MGG Genset

1. Attach a CAN or analog cable between each genset 216, 217 and 218 terminal, located next to the load cable connection box.

**NOTE:** ComAp to ComAp requires a CAN cable. Any other configuration requires an analog cable.

**NOTE:** The genset controllers must all have a unique controller address.

2. Place controllers in MANUAL mode and start generators. Allow all start sequence timers to expire.
3. Verify the following parameters:
  - 60 Hz Comms settings > Nomin power: (set to 300 for continuous operation (COP) or 360 for prime operation (PRI))
  - 50 Hz Comms settings > Nomin power: (set to 240 for continuous operation (COP) or 288 for prime operation (PRI))
  - Comms settings > Cont.address: (unique number for each genset)
  - Pwr management > Pwr management: DISABLED (Contact Generac Mobile Products Technical Service)
  - Pwr management > Priority: 0
  - Pwr management > Control group: 2 or COMMON
  - Pwr management > ControlLinkLeft: 2 or COMMON
  - Pwr management > ControlLinkRight: 2 or COMMON
  - IG-AVRi module output level adjusted to max (full CW)
  - AVR remote control voltage authority set to  $\pm 10\%$

**NOTE:** The amount of total load taken by each genset is dependent on Nomin Power setting.

### Parallel MGG450 to Other Gensets

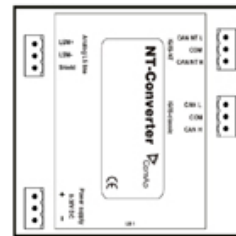
The MGG450 can be operated in parallel to other (non-Generac) gensets. The real portion (kW) of total electrical load will be divided among all gensets connected. The reactive (kVAr) power can be shared by activating the droop CT in the alternator AVR.

The controller can communicate with other controllers via an analog signal of either 0-3.0 V or 0-4.5 V. The other genset must also be capable of load communication with an analog load sharing line of the same voltage range. The number of gensets connected via the analog line will depend on quality of the signal and the desired resolution of load sharing.

1. Attach an analog cable to the LSM+ and LSM- terminals, located next to the load cable connection box.
2. Route the analog cable away from sources of EMI/RFI.

To change the range of the analog signal:

1. See **Figure 2-4**. Locate the NT-converter module (A) in the control box.
2. See **Figure 3-4**. Close jumper 1 for a 0-3 volt range or close jumper 2 for a 0-4.5 volt range.



004786

**Figure 3-4. Load Share Module Jumpers Location**

3. To share reactive load, kVAr, activate the droop CT in the alternator AVR.

**NOTE:** The droop CT is not activated for island operation or MGG-to-MGG parallel operation.

4. Connect a PC to the AVR (located within the alternator tower) via USB cable.
5. Using Leroy-Somer EasyReg software, in the REGULATION MODE activate the REACTIVE DROOP COMPENSATION.
6. Verify the droop CT is listed under GENERATOR SETTINGS.
7. Save configuration to AVR and close software.

## Paralleling Shutdown

1. Completely unload generators and verify none of them shuts down on Loss of Field or Reverse Power.
2. Press the GCB button on both generators.
3. Press STOP to shut down both generators.



## General Wiring Considerations

### **⚠WARNING**

Electric shock. Only a trained and licensed electrician should perform wiring and connections to unit. Failure to follow proper installation requirements could result in death, serious injury, and equipment or property damage. (000155a)

- When routing the interface wiring, do not route it against anything that could cut or chafe the wiring. Do not route the wire against any hot or potentially hot object.
- Verify all electrical components share a common hard wired ground.
- Check with your local building inspector to determine what is required to comply with local regulations for grounding this type of permanent installation.

## Derating

**NOTE:** Generac Continuous and Prime ratings are defined by ISO 8528-1.

All units are subject to derating based on fuel quality, ambient temperature and altitude. This will reduce the available power for operating tools and accessories connected to the receptacles. Altitude derate is 2.1% for every 1000 ft. (305 m) above 3280 ft. (1000 m) See [Table 3-4](#) and [Table 3-5](#) for temperature and fuel quality derate for 60 Hz units. See [Table 3-6](#) and [Table 3-7](#) for temperature and fuel quality derate for 50 Hz units.

**Table 3-4. COP Derate Temperature and Fuel Quality (60 Hz units)**

Methane Number	Ambient Temperature					
	77°F (25°C)	86°F (30°C)	95°F (35°C)	104°F (40°C)	113°F (45°C)	122°F (50°C)
35	250	232	221	211	186	156
40	250	248	237	226	201	171
45	266	263	253	242	217	187
50	281	279	268	258	233	203
55	297	295	284	273	248	218
60	300	295	288	283	264	234
65	300	295	288	283	275	249
70	300	295	288	283	275	265
75	300	295	288	283	275	270
80	300	295	288	283	275	270
85	300	295	288	283	275	270
90	300	295	288	283	275	270

**Table 3-5. Prime Derate Temperature and Fuel Quality (60 Hz units)**

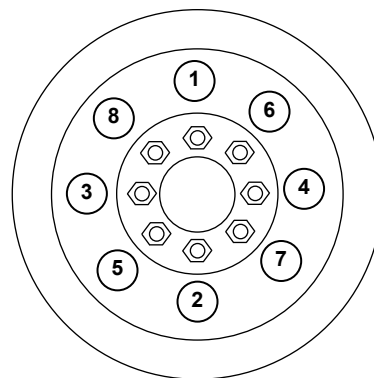
Methane Number	Ambient Temperature					
	77°F (25°C)	86°F (30°C)	95°F (35°C)	104°F (40°C)	113°F (45°C)	122°F (50°C)
35	300	279	266	253	223	187
40	300	297	284	272	242	206
45	319	316	303	290	260	224
50	338	335	322	309	279	243
55	356	354	341	328	298	262
60	360	354	345	339	317	281
65	360	354	345	339	330	299
70	360	354	345	339	330	318
75	360	354	345	339	330	324
80	360	354	345	339	330	324
85	360	354	345	339	330	324
90	360	354	345	339	330	324

**Table 3-6. COP Derate Temperature and Fuel Quality (50 Hz units)**

Methane Number	Ambient Temperature					
	77°F (25°C)	86°F (30°C)	95°F (35°C)	104°F (40°C)	113°F (45°C)	122°F (50°C)
35	200	186	177	169	149	125
40	200	198	190	181	161	137
45	213	211	202	194	174	150
50	225	223	215	206	186	162
55	238	236	227	219	199	175
60	240	236	230	226	211	187
65	240	236	230	226	220	200
70	240	236	230	226	220	212
75	240	236	230	226	220	216
80	240	236	230	226	220	216
85	240	236	230	226	220	216
90	240	236	230	226	220	216

**Table 3-7. Prime Derate Temperature and Fuel Quality (50 Hz units)**

Methane Number	Ambient Temperature					
	77°F (25°C)	86°F (30°C)	95°F (35°C)	104°F (40°C)	113°F (45°C)	122°F (50°C)
35	240	223	213	202	178	149
40	240	238	228	217	193	164
45	255	253	243	232	208	179
50	270	268	258	247	223	194
55	285	283	273	262	238	209
60	288	283	276	271	253	224
65	288	283	276	271	264	239
70	288	283	276	271	264	254
75	288	283	276	271	264	259
80	288	283	276	271	264	259
85	288	283	276	271	264	259
90	288	283	276	271	264	259



001441

**Figure 3-5. Lug Tightening Sequence**

6. Start all lug nuts by hand.
  - First pass tighten to 20-25 ft-lbs (27-33 Nm)
  - Second pass tighten to 50-60 ft-lbs (67-81 Nm)
  - Third pass tighten to 90-120 ft-lbs (122-162 Nm)

**NOTE:** After the first road use, re-tighten the lug nuts in sequence.

Maximum recommended speed for highway towing is 45 mph (72 km/h). Recommended off-road towing speed is not to exceed 10 mph (16 km/h) or less, depending on terrain.

### Trailer Wheel Bearings

Some trailers are equipped with a grease zerk fitting to allow lubrication of the wheel bearings without the need to disassemble the axle hub. To lubricate the axle bearings, remove the small rubber plug on the grease cap, attach a standard grease gun fitting to the grease zerk fitting and pump grease into the fitting until new grease is visible around the nozzle of the grease gun. Use only a high quality grease made specifically for lubrication of wheel bearings. Wipe any excess grease from the hub with a clean cloth and replace the rubber plug when finished. The minimum recommended lubrication is every 12 months or 12,000 miles (19,312 km). More frequent lubrication may be required under extremely dusty or damp operating conditions.

### Towing the Trailer

1. Use the jack to raise or lower the trailer onto the hitch of the towing vehicle. Lock the hitch coupling and attach the safety chains or cables to the vehicle. Raise the jack foot completely.
2. Connect any trailer wiring to the tow vehicle. Check for proper operation of the directional and brake lights.
3. Make sure all doors are properly latched.
4. Check for proper inflation of the trailer tires. Refer to **Specifications**.
5. Check the wheel lugs. Tighten or replace any that are loose or missing. If a tire has been removed or replaced, tighten lugs in the order shown in **Figure 3-5**.

## Section 4 Maintenance

### Disabling Generator for Maintenance



Accidental Start-up. Disconnect the negative battery cable, then the positive battery cable when working on unit. Failure to do so could result in death or serious injury.

(000130)

**NOTE:** If unit is in a paralleling configuration, verify there is no bus voltage before proceeding.

1. Verify power to the load can be interrupted. Warn any equipment users that there will be a temporary power disruption.
2. Allow the generator to cool down (running at no-load) for approximately five minutes to prevent damage to critical engine components.
3. Push the stop button on the controller.
4. Perform the necessary maintenance (based on the hourly requirements).
5. Push START on the controller.
6. When the generator is running, and all engine and generator parameters (voltage, frequency, coolant temp, oil pressure, etc.) have been verified as correct, close the Main Circuit Breaker (MCB).
7. Make a final visual inspection of the generator to verify proper operation.

### Maintenance

Regular maintenance will improve performance and extend engine/equipment life. Generac Mobile Products, LLC. recommends that all maintenance work be performed by a Generac Mobile Products Authorized Service Dealer (GMP ASD). Regular maintenance, replacement or repair of the emissions control devices and systems may be performed by any repair shop or person of the owner's choosing. However, to obtain emissions control warranty service free of charge, the work must be performed by a GMP ASD. See the emissions warranty.

**NOTE:** Normal maintenance service and replacement of parts is the responsibility of the owner and, as such, are not considered defects in materials or workmanship within the terms of the warranty. It is strongly recommended that equipment be periodically checked by a GMP ASD.

Daily checks must be performed when unit is operated continuously for extended periods of time. Daily checks and routine monthly checks can be performed by a GMP ASD.

## Basic Maintenance Schedule

**Table 4-8. Basic Maintenance Schedule**

<b>Daily</b>	<ul style="list-style-type: none"> <li>• Walk around inspection (see <i>Daily Walk Around Inspection</i>)</li> <li>• Check oil level</li> <li>• Check coolant level</li> </ul>
<b>Every 1,500 Hours**</b>	<ul style="list-style-type: none"> <li>• Replace oil filters (engine and by-pass)</li> <li>• Replace engine oil (see <i>Engine Oil Recommendations</i> for oil types)</li> <li>• Inspect filter minder/replace element as needed</li> <li>• Inspect fuel and radiator hoses</li> <li>• Inspect and tension belts*</li> <li>• Inspect batteries</li> <li>• Inspect coalescing filter</li> <li>• Inspect flexible couplings</li> <li>• Clean and inspect radiator</li> <li>• Inspect coolant</li> <li>• Replace spark plugs</li> <li>• Check and adjust valve lash</li> </ul>
<b>Every 7,500 Hours</b>	<ul style="list-style-type: none"> <li>• Replace spark plug wires and coils</li> <li>• Replace thermostats</li> <li>• Rebuild water pump</li> <li>• Replace block heater</li> <li>• Replace coolant</li> <li>• Replace cooling fan belt</li> <li>• Replace rubber cooling and charge air couplings</li> <li>• Replace DC alternator and belt</li> <li>• Replace exhaust flex</li> <li>• Replace exhaust blankets</li> </ul>

\* Visually check belts for damage each time the unit is serviced.

\*\* See the 1,500 Hour Service Interval Manual (0L5448).

### Daily Walk Around Inspection

Look for conditions that could hinder performance or safety, such as (but not limited to) oil, coolant, fuel leakage, blocked vents, loose or missing hardware and electrical connections. Check for foreign matter blocking the vents and on top of unit. When unit is not running:

- Visually check belts for damage.
- Coolant should be checked daily. Coolant should be visible in the sight glass located near the top of the radiator.
- Check electrical connectors, battery and ground points. Look for loose or missing hardware.
- Check all flexible rubber hoses for deterioration.

### Engine Oil Recommendations

To maintain the product warranty, the engine oil should be serviced in accordance with the recommendations of this manual. For your convenience, maintenance kits are available through your local GMP ASD.

The engine has been filled with factory engine oil of a grade recommended by the engine supplier. See the applicable engine service manual for engine oil recommendations.

Use a high quality detergent oil with an appropriate classification and viscosity for the engine type and ambient temperature conditions. Consult your GMP ASD for oil recommendations.

- Shell Mysell S5 N 15W40 (1500 hour change)
- Valvoline Premium Blue GEO LA 15W40 (1500 hour change)

## Check Engine Oil Level

An authorized operator should check the engine oil level daily. The oil level should be maintained between the Full and Add marks on the engine dipstick. Recommended fluids are listed in *Engine Oil Recommendations*. To check the engine oil using the dipstick:

**NOTE:** If engine was running, wait at least ten minutes before proceeding.

1. Remove dipstick and wipe it dry with a clean, lint free cloth.
2. Slowly insert the clean dipstick into the tube. Verify dipstick is fully seated in the dipstick tube.
3. After ten seconds, remove the dipstick and look at the oil level on both sides. The lower of the two readings will be the correct oil level measurement.
4. Add oil (if necessary) to adjust the level. After adding or changing the oil, the engine should run for one minute before checking the oil level. Wait ten minutes to allow the engine to cool and oil to fully drain into the oil pan.

Typical causes of inaccurate oil level readings:

- Reading the high level of the dipstick.
- Reading the dipstick before the oil fully drains into the oil pan.
- Inserting and removing the dipstick too quickly.
- The dipstick is not fully seated in the dipstick tube.

## Changing the Oil



### WARNING

Risk of burns. Allow engine to cool before draining oil or coolant. Failure to do so could result in death or serious injury.

(000139)

### WARNING

Potential of cancer. Prolonged or repeated contact with used motor oil has been shown to cause cancer in laboratory animals. Thoroughly wash exposed areas with soap and water.

(000127a)

### CAUTION

Engine damage. Verify proper type and quantity of engine oil prior to starting engine. Failure to do so could result in engine damage.

(000135)

See the 1500 Hour Service Interval Manual (0L5448) for instructions on changing the engine oil.

## Coolant Recommendation



### DANGER

Risk of poisoning. Do not use mouth to siphon coolant. Doing so will result in death or serious injury.

(000149)



### WARNING

Risk of burns. Do not open coolant system until engine has completely cooled. Doing so could result in serious injury.

(000154)

### CAUTION

Risk of overheating. Do not use any chromate base rust inhibitor with propylene glycol base antifreeze, boosters, or additives. Doing so will cause overheating and possible equipment damage.

(000165a)

Recommended coolant is ZEREX™ Nitrate Free Extended Life Antifreeze/Coolant. See table below for mixtures:

Freezing Point °F (°C)	-12 (-24)	-34 (-36)	-54 (-48)	-90 (-67)
Water (% Volume)	60	50	40	30
Antifreeze (% Volume)	40	50	60	70*

\* Maximum freeze protection is at 70%.

**IMPORTANT NOTE:** Higher concentrations of antifreeze will reduce engine ability to cool. Do not use high concentrations (greater than 50%) of antifreeze in warmer climates.

## Adding Coolant



**⚠ DANGER**

Risk of poisoning. Do not use mouth to siphon coolant. Doing so will result in death or serious injury.

(000149)



**⚠ WARNING**

Risk of burns. Do not open coolant system until engine has completely cooled. Doing so could result in serious injury.

(000154)

**⚠ CAUTION**

Risk of overheating. Do not use any chromate base rust inhibitor with propylene glycol base antifreeze, boosters, or additives. Doing so will cause overheating and possible equipment damage.

(000165a)

With engine stopped and cooled, visually check the coolant level in the sight glass located near the top of the radiator. If coolant is not visible, coolant will need to be added to the system. Let engine cool before adding coolant. Add a 50/50 mixture of the correct antifreeze and distilled or deionized water to the coolant system.

## Resetting Service Timers

After the 1500 hour service has been completed:

1. Press MENU on the digital controller.
2. Select SETPOINTS.
3. Select ENGINE PROTECT.
4. Change SERVICE TIME 1 back to 1500 hours.

## Battery Inspection



**⚠ DANGER**

Electrocution. Verify electrical system is properly grounded before applying power. Failure to do so will result in death or serious injury.

(000152)



**⚠ DANGER**

Electrocution. Do not wear jewelry while working on this equipment. Doing so will result in death or serious injury.

(000188)



**⚠ WARNING**

Explosion. Batteries emit explosive gases while charging. Keep fire and spark away. Wear protective gear when working with batteries. Failure to do so could result in death or serious injury.

(000137a)



**⚠ WARNING**

Explosion. Do not dispose of batteries in a fire. Batteries are explosive. Electrolyte solution can cause burns and blindness. If electrolyte contacts skin or eyes, flush with water and seek immediate medical attention.

(000162)



**⚠ WARNING**

Risk of burn. Do not open or mutilate batteries. Batteries contain electrolyte solution which can cause burns and blindness. If electrolyte contacts skin or eyes, flush with water and seek immediate medical attention.

(000163a)

**⚠ WARNING**

Environmental Hazard. Always recycle batteries at an official recycling center in accordance with all local laws and regulations. Failure to do so could result in environmental damage, death, or serious injury.

(000228)

Always recycle batteries in accordance with local laws and regulations. Contact your local solid waste collection site or recycling facility to obtain information on local recycling processes. For more information on battery recycling, visit the Battery Council International website at: <http://batteryCouncil.org>

An authorized operator should inspect the engine battery system monthly. At this time, the battery fluid level should be checked and distilled water added if needed. Battery cables and connections should also be inspected for cleanliness and corrosion.

Once every six months, a GMP ASD should inspect the battery system. At this time, the battery condition and state of charge should be checked using a battery hydrometer. The battery should be recharged or replaced as required.

Battery service is to be performed or supervised by personnel knowledgeable of batteries and the required precautions. Keep unauthorized personnel away.

Observe the following precautions when working on batteries:

- Remove watches, rings, or other metal objects.
- Use tools with insulated handles.
- Wear rubber gloves and boots.
- Do not lay tools or metal parts on top of battery.
- Disconnect charging source prior to connecting or disconnecting battery terminals.

- Wear full eye protection and protective clothing.
- Do not open or mutilate batteries. Released electrolyte has been known to be harmful to the skin and eyes and to be toxic.
- Where electrolyte contacts the skin, wash it off immediately with water.
- Where electrolyte contacts the eyes, flush thoroughly and immediately with water and seek medical attention.
- Spilled electrolyte is to be washed down with an acid neutralizing agent. A common practice is to use a solution of one pound (500 grams) bicarbonate of soda (baking soda) to one gallon (four liters) of water. The bicarbonate of soda solution is to be added until the evidence of reaction (foaming) has ceased. The resulting liquid is to be flushed with water.
- Discharge static electricity before touching battery by first touching a grounded metal surface.

Observe the precautions in **Battery Hazards** when working on batteries.

**NOTE:** A negative ground system is used. Verify the battery is correctly connected and terminals are tight. Observe battery polarity when connecting the battery to the generator. Verify battery connection is correct per wiring diagrams.

### Battery Installation and Replacement

When required, the battery must be replaced with one of equivalent size, voltage, and CCA (cold crank amp capacity). Minimum CCA for this generator is 2200 (two 1100 CCA 12 volt batteries in series to give 1100 Amps at 24 volts, connected in parallel to provide 2200 CCA at 24 volts). Contact your local GMP ASD for correct battery size. A new battery must be filled with the proper electrolyte and be fully charged before install.

Battery cables are connected to the generator at the factory. Connect cables to battery posts as follows.



#### CAUTION

Equipment damage. Do not make battery connections in reverse. Doing so will result in equipment damage.

(000167a)

1. Connect battery cable from starter contactor to positive (POS or +) battery post.
2. Connect black battery cable to negative (NEG or -) battery post.
3. Refer to **Starting the Generator**.

### Other Maintenance Checks

The following inspections should be performed by a GMP ASD, or a properly trained authorized operator.

- Inspect engine accessory drive belts
- Inspect hoses and connections
- Inspect fuel supply system
- Inspect exhaust system
- Inspect exhaust pipe sleeve

### Jack Maintenance

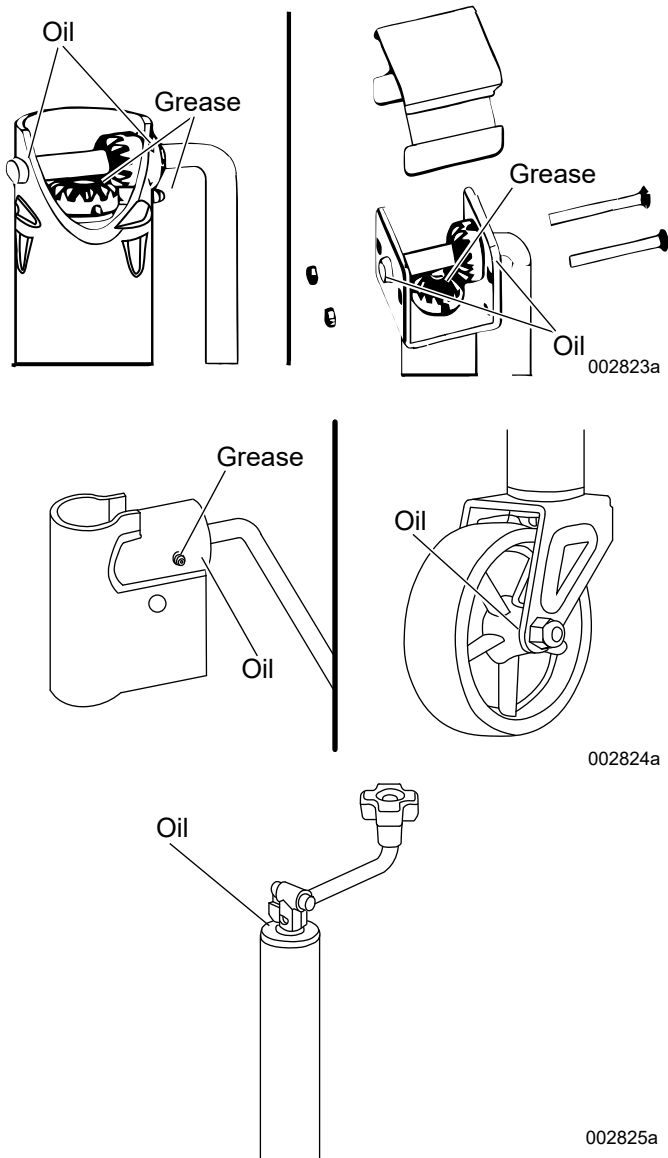
The following procedures should be performed annually.

#### Side-Wind Models

- The internal gearing and bushings of the jack must be kept lubricated. Apply a small amount of automotive grease to the internal gearing by removing the jack cover, or if equipped, use a needle nose applicator or standard grease gun on the lubrication point on the side of the jack near the crank. Rotate the jack handle to distribute the grease evenly.
- A lightweight oil must be applied to the handle unit at both sides of the tube.
- If equipped, the axle bolt and nut assembly of the caster wheel must also be lubricated with the same lightweight oil.

## Top-Wind Models

- Apply a lightweight oil to the screw stem.



**Figure 4-1. Lubrication Points**

## Trailer Wheel Bearings

The trailer axles are equipped with a grease fitting to allow lubrication of the wheel bearings without needing to disassemble the axle hub. To lubricate the axle bearings, remove the small rubber plug on the grease cap, attach a standard grease gun fitting to the grease fitting, and pump grease into the fitting until new grease is visible around the nozzle of the grease gun. Use only a high quality grease made specifically for lubrication of wheel bearings. Wipe any excess grease from the hub with a clean cloth and replace the rubber plug when finished. The minimum recommended lubrication is every 12 months or 12,000 miles (19,312 km). More frequent lubrication may be required under extremely dusty or damp operating conditions.

## Fuel Scrubbing System

The coalescing filter system is used to separate emulsions and remove particulates from the fuel source. The auto drain removes water build up in the filter body. The BX filter is 99.9% efficient for particles and droplets 0.01 micron or greater.

Always wear proper protective clothing and use appropriate tools for maintaining the filter system.

Check all pipes and connections before running the unit. Look for degradation. The assembly should be solid with all connections and hardware tightened. Pipe torques are not applicable. It is recommended that experienced pipe assembly personnel (pipe fitters) perform all service on the pipes.

If pipe assemblies must be replaced:

- Use proper sized fittings for the pressures, relative to the “high” and “low” pressure sides of the regulator.
- Use an appropriate thread sealant for the environment (temp ranges, fuel mix type, detergents, fuel oils etc.). Call Generac Mobile Products for a recommended sealant and replacement parts if needed.

Before operating the unit, perform a pressure test by opening the supply lock-off valve, allowing the system to pressurize, and then closing the supply lock-off valve. Monitor the pressure gauge for five minutes, noting any drop in pressure. Use a combustible gas detector along all fuel system components to identify any leaking components. Any leaking components must be repaired prior to operation.

After shut down and removal of fuel pressure to the unit, pressure may still exist between the regulators. If this occurs, verify fuel supply is removed from unit and run unit until any remaining fuel in the line is used up.

Verify you are in a flame/spark free environment before working on any portion of the fuel system. If you think there might be pressure in the system, assume that there is, and act accordingly. Slow and careful removal of any parts is essential to allow the pressure to escape slowly.

## Operation

1. Connect the fuel line to the two inch inlet, located at the frame on the rear of the unit.
2. Open the manual ball valve, located on the outside of the frame on the rear of the unit.
3. Check for any leaks in the gas line.
4. Push the Start button on the digital controller. The controller will sense the type of fuel entering the system and will display “ALI NG Fuel Select”.



## Pressure Settings

The operation range for the coalescing filter system and fuel delivery system is 40 psig before entering the regulator. Pressure less than 40 psi (276 kPa) may not provide optimal performance.

Beyond the regulator, the system is factory set to operate at 30 psig. To adjust the pressure setting, remove the cover to access the adjusting screw.

Both scrubbing system filters must maintain a minimum of 15 psi (103.4 kPa) for proper operation, not to exceed a maximum of 150 psi (1034 kPa). The regulator will provide internal relief to the downstream components through the venting systems, preventing downstream overpressure at values greater than 300 psi (2068 kPa), but the assembly limit pressure is 300 psi (2068 kPa). Do not exceed 300 psi (1551 kPa) fuel pressure to the 2 in. (50.8 mm) NG/Well Gas port.

The operating range of the fuel scrubbing system is 40-300 psi at the rail. The primary pressure regulator is factory set to supply 30 psi to the filtration system components. To adjust the primary pressure setting, remove the cover to access the adjusting screw. Pressures less than 30 psi will result in poor performance of the filtration system and generator. The regulator provides internal relief venting to the outside of the unit if overpressure is detected downstream of the regulator. The unit may continue to run in the event of the regulator venting due to slight overpressure.

## Automatic Filtration

Both filters have an automatic drain. The coalescing filter is equipped with a float valve which will automatically expel water from the filter. The auto water drain valve must have a minimum of 15 psi (103.4 kPa) for the auto discharge to operate. The drain hose at the bottom of the filter assembly will expel fluids collected through an outlet located at the left frame rail near the rear of the unit. Collect and dispose of the fluids per local, state and federal regulations.

**NOTE:** Drains must be inspected occasionally and cleaned based on how dirty the fuel being scrubbed is.

## Replacing the Filter

The coalescing filter is equipped with a differential pressure indicator (DPI) located at the top of the filter body. The DPI provides a visual indication of the condition of the filter, indicating Dirty (red), Change (yellow) and Clean (green). The filter should be replaced when the indicator is in the Change position. Replace filter as follows:

**NOTE:** DPI will only be accurate while the unit is running. While the unit is turned off, the DPI will show "green" status regardless of actual filter status.



001731

**Figure 4-2. Coalescing Filter and DPI**

1. Twist off filter body.
2. Replace old filter cartridge with new cartridge.
3. Twist on filter body.

## Air Filter Drain Inspection

Squeeze dust boot at base of air cleaner while engine is OFF.

## Air Filter Minder Inspection

Verify indicator is in the green color on the filter-minder. If it is not, replace air filter.

**NOTE:** Reset filter-minder after air filter replacement.

## Cold Weather Kit (if equipped)

The MGG450 is available with or without a cold weather kit. The manufacturer recommends installing the cold weather kit for operation of the unit at 40°F (4°C) or below.

The kit contains the following:

- Variable-Pitch Fan
- Heated, insulated enclosure around fuel conditioning system
- 6.0 kW integrated coolant pump/heater
- Resistive heat trace
- Insulation along flexible fuel line
- Mixer
- Heat trace
- Demand regulator heater

This kit is additive to the basic starting aids package.

**Operation**

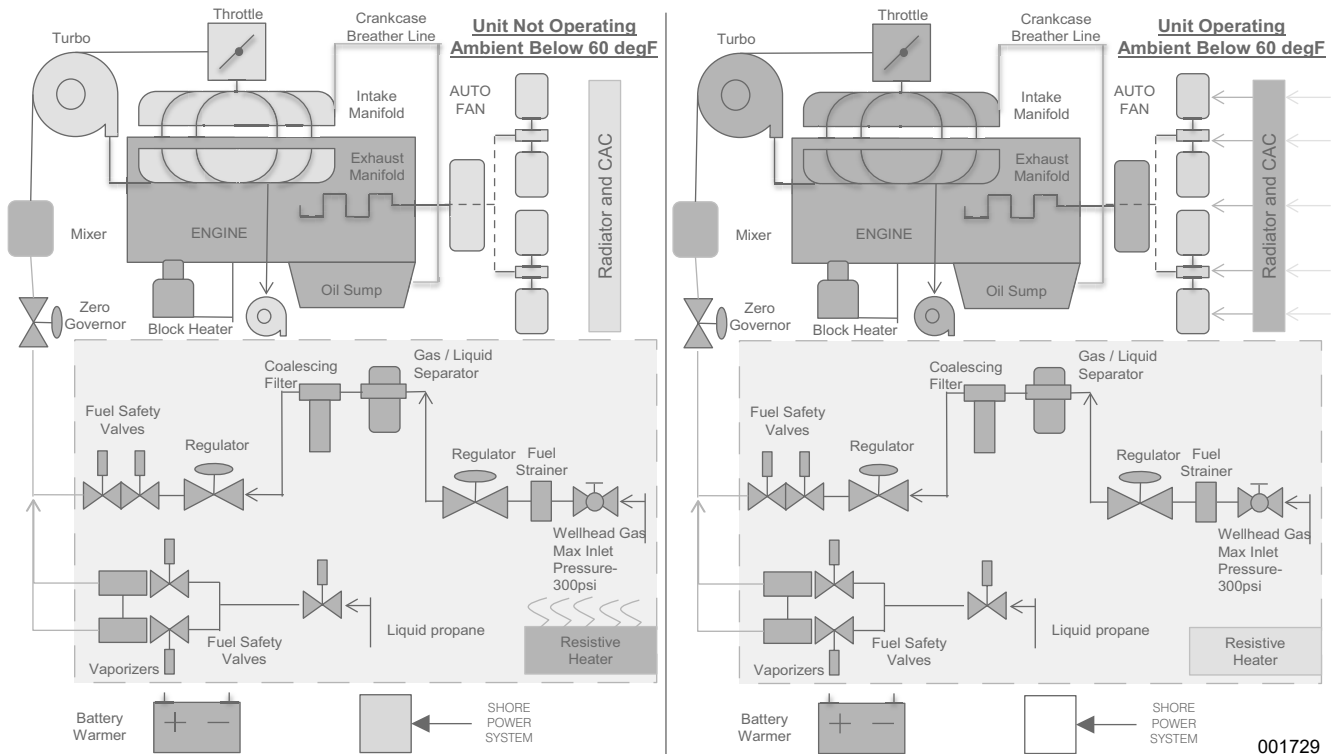
If the unit is not operating and the temperature is below 60 °F (16 °C) ambient, shore power operates a 500 watt resistive heater inside the fuel conditioning enclosure, a 6.0 kW integrated coolant pump/heater activates, and a submersed resistive oil pan heater activates. The devices activate independently of one another.

If the unit is operating and the temperature is below 60 °F (16 °C) ambient, generator power operates a blower to move air across the exterior of the exhaust manifold into the fuel conditioning enclosure.

**NOTE:** Block heater and oil pan heaters are not active while operating.

While installed, the variable-pitch fan automatically varies the pitch of the blades to maintain optimal airflow based on coolant temperature and intake manifold temperature. This operation will inherently minimize fan power required and lower overall fuel consumption during cooler ambient operating temperatures.

If a cooling system blockage occurs from reverse flow operation (snow, ice, leaves, etc.), high coolant and/or intake manifold temperatures will force the fan back into forward flow operation. If the blockage is cleared the fan will return to reverse flow operation once the coolant and intake manifold temperatures return to normal. If the blockage is not cleared with the change to forward flow the unit may shutdown due to high coolant temperature and/or intake manifold temperature.



**Figure 4-3. Variable Pitch Automatic Fan**

001729

## Section 5 Troubleshooting

### General Troubleshooting Guide

Problem	Cause	Solution
Engine Cranks But Will Not Start	No fuel.	Verify fuel valves are open.
	Low oil level.	Replenish oil to full.
	Restricted air flow.	Check/replace air filter.
Engine Will Not Crank (Electric Start)	Dead battery.	Replace battery.
	Emergency stop is activated.	Reset controller.
Engine Will Not Start (Gaseous)	Gaseous fuel lines have not been purged with fuel (contain air).	Unit may require multiple crank cycles to start.
Engine Starts But Will Not Run Smoothly	Fuel problem.	Refer to engine manual or contact Generac Mobile Products Technical Service.
Engine Overheats	Excessive load.	Remove one or more electrical loads.
	Debris or dirt buildup on engine/radiator.	Remove debris and clean engine surfaces to allow cooling.
No Output Voltage	Circuit breaker tripped or failed.	Reset or replace circuit breaker.
	Internal failure of alternator.	Check electrical connections.
High Output Voltage	Excessive speed.	Verify engine RPM.
Low Output Voltage	Incorrect speed.	Check AVR adjustment.
Electrical Shock When Frame Is Touched	Static charge.	Ground unit frame at local reference ground.
	Grounded armature or field coil.	Contact Generac Mobile Products Technical Service.
Mechanical Noise	Internal failure of alternator.	Contact Generac Mobile Products Technical Service.
	Engine fan or belts issues.	
	Loose flexplate.	Tighten flexplate to flywheel and alternator shaft.
Throttle Does Not Move	Battery not fully charged.	Charge or replace battery.
Oil Pan Over-Full		Readjust Murphy fill.

## Digital Controller Troubleshooting Guide

Problem	Cause	Solution
LCD Display Cannot Be Viewed	Improper supply voltage.	Check DC supply voltage at terminals B+ & B- (10-30 VDC).
	Improper contrast adjustment.	Adjust LCD contrast for best display.
Controller Cannot Be "Reset"	Engine not stopped.	Verify the engine is at a complete stop before trying to reset.
	Controller not OFF.	Turn controller OFF before resetting.
No "RUN" Output Signal	"Shutdown Faults" not reset.	All shutdown faults must be reset (red shutdown LED must be OFF).
	Engine speed not detected at cranking.	Engine speed signal must be detected (speed signal green LED on) during cranking if the "run-output fail safe" feature is enabled. Verify correct magnetic pickup signal at cranking (2.0 VAC minimum during cranking).
Overspeed Shutdown Occurs at Normal Speed	Controller programmed values are wrong or controller has failed.	Verify the controller programmed values are correct for the number of flywheel teeth, nominal RPM, and overspeed set point percentage. Replace controller if failed.
	Wiring incorrect.	Check wiring.
Voltage or Current Metering is Incorrect	Controller programmed values are wrong.	Verify the controller programmed values are correct for the voltage sensing PT ratio and/or current sensing CT ratio.
	Ground is missing.	Verify that the battery supply DC negative conductor is properly grounded to the engine block (i.e. to a common ground point).
	Voltage sensing wiring mistake.	Verify the voltage sensing wiring connection to the controller matches power distribution type.
Engine Temperature or Oil Pressure Display is Incorrect	Failed engine sensor. Ground is missing.	Verify engine sensors. Verify that the battery supply DC negative conductor is properly grounded to the engine block (i.e. to a common ground point).
Engine Alarms Are on For High Engine Temperature or Low Oil Pressure when Engine is Operating Properly	Wrong temperature	Verify engine mounted senders have correct resistance values for corresponding input temperature or pressure.
	Wrong pressure calibration.	Verify calibration.
Keypad Buttons (Switches) Do Not Operate	Keypad not connected to controller.	Verify the interconnecting ribbon cable between the lexan faceplate and main printed circuit board is correctly connected. Replace controller if failed.

## Digital Controller Alarm Abbreviations

Abbreviation	Definition
AI	Analog Input
AO	Analog Output
ATS	Automatic Transfer Switch (switches load to supplied bus (by mains or generators)
AVR	Automatic Voltage Regulator
BI	Binary Input
BO	Binary Output
BOC	Breaker Open & Cool-down - protection type (see application manual for details)
BTB	Bus-Tie Breaker
CAN1	CAN bus for ComAp extension modules (e.g. IGS-PTM) and engine ECU connection
CAN2	CAN bus for communication between ComAp controllers and communication modules connection (e.g. I-LB+)
COX	Application for Complex Systems where actions are taken by a PLC and controller only follows orders => needs an external driver (cox)
CT	Current Transformer
ECU	Engine Electronic Control Unit
ESF	Engine Specific File
Forward Synchronization	Synchronization of unloaded generator to mains (GCB closing process)
FMI	Failure Mode Identifier
GC	Graphical Characters - option for additional support of one "graphical" language
GCB	Generator Circuit Breaker
CHP	Combined Heat & Power - co-generation application, usually with Nm engine
I-AOUT8	Extension module with 8 AO
I-CB	Communication Bridge - interfaces IS, IG/IS-NT, ID controllers and non-standard engine ECU
IG-AVRi	IG Automatic Voltage Regulator interface
IG-EE	InteliGen for Electronic Engines (HW optimized for connection to an engine equipped with ECU)
IG-EEC	InteliGen EE controller with extended communication possibilities + switchable sensing ranges of AC voltages and currents
IG-IB	IG-Internet Bridge - for internet/ethernet communication
IGL-RA15	Indication panel with LEDs signaling state of 15 BO
IG-NT	InteliGen New Technology gen-set controller
IG-NTC	InteliGen NT controller with extended communication possibilities + switchable sensing ranges of AC voltages and currents
IGS-NT-LSM+PMS	Dongle for IG-XX and IS-NT to enable Load Sharing and VAr sharing control loops and PMS
IGS-PTM	Extension module with 8 BI/BO, 4 AI and 1 AO
I-LB	Local Bridge – for direct and modem monitoring and control of multiple gen-sets
IM-NT	InteliMains New Technology - Mains supervision controller; the same controller with a different SW configuration can work as a bus-tie synchronizer
I-RB	Relay Board
IS-AIN8	Extension module with 8 AI
IS-BIN8/16	Extension module with 8 BO and 16 BI
IS-NT	InteliSys New technology gen-set controller
IS-NT-BB	InteliSys New Technology Basic Box (without display)
KWP2000	Key Word Protocol of Scania S6 unit (for engine diagnostics)
LAI	Logical Analog Inputs (card in GenConfig which is used to assign source signal to controller Logical Analog Input functions, e.g. Oil press)

Abbreviation	Definition
LBI	Logical Binary Inputs (card in GenConfig which is used to assign source signal to controller Logical Binary Input functions, e.g. Sys Start/Stop)
LS	Load Sharing - analog load sharing line to interconnect gen-sets on site (for island parallel or mains parallel operation of multiple gen-sets); IG/IS/IM-NT controllers use digital Load Sharing via the CAN2 bus
LSM	Load Sharing Module
LT	Option for Low Temperature modification (display equipped with heating foil)
MCB	Main Circuit Breaker
MGCB	Master Generator Circuit Breaker (sometimes used with multiple gen-sets in island parallel or mains parallel operation)
MINT	Multiple application with INTERNAL control loops - for multiple gen-sets in island parallel or mains parallel operation; Load Sharing and VAr Sharing controlled internally; PMS available
MP	Mains Protection
MultIslOp	Multiple Island Operation (MCB is opened, GCB's are closed)
MultParOp	Multiple Parallel Operation (MCB is closed, GCB's are closed)
NPU	Mains protection relay (voltage, frequency, vector shift protections)
OC	Occurrence Count (number of fault occurrences transmitted in diagnostic frame from ECU)
OfL	Off load - protection type (see application manual for details)
PF	Power Factor
PGN	Parameter Group Number (refer to SAE J1939-71)
PMS	Power Management System - ensures optimization of running gen-sets on sites with multiple gen-sets; based on kW/kVA spinning reserve or on relative (%) load; no-master system ensures high reliability
Reverse synchronisation	Synchronisation of loaded generator to mains (MCB closing process)
RTC	Real Time Clock
SG	Speed Governor
SHAIN	SHared (virtual) Analog INput module
SHAOUT	SHared (virtual) Analog OUTput module
SHBIN	SHared (virtual) Binary INput module
SHBOUT	SHared (virtual) Binary OUTput module
Soft load	Generator soft loading according to Load ramp loop setting
Soft unload	Generator soft unloading according to Load ramp loop setting
SPI	Single Parallel Island application - for single gen-sets in parallel with mains or in island operation; suitable for CHP applications; no MCB control
SPM	Single Prime Mover application - for single gen-sets without mains
SPN	Suspect Parameter Number (refer to SAE J1939-71)
SPtM	Single Parallel to Mains application - for single gen-sets in parallel with mains or in island operation, with AMF support; both MCB and GCB controlled
SSB	Single Stand-By application - for single gen-sets with mains and break transfer to mains
VPIO	Virtual periphery I/O module – internal “SW wires” linking binary outputs to inputs controllers via inter-controller CAN2
VS	VAr Sharing - ensures VAr sharing between gen-sets on site via the CAN2 bus (for island parallel or mains parallel operation of multiple gen-sets)
VT	Voltage Transformer
#	Setting of setpoints (with this character in front of them) is shared between controllers controllers via inter-controller CAN2

## Digital Controller List of Alarms

Alarm	Definition
ECU	<p>Indication of error in communication with ECU. Check if the ECU is:</p> <ul style="list-style-type: none"> <li>• Correctly connected to the CAN1 port of the controller (refer to Comap Electronic Engines Support manual for information about ECU connection)</li> <li>• Powered up</li> <li>• Terminating resistors are properly connected</li> <li>• CAN bus Low and High wires are not swapped</li> </ul>
SHAinCfgErr	Shared Analog module configuration error – i.e. more than one source module (SHAOUT) were configured (on the CAN2 bus). Make sure that only one SHAOUT x module is configured in controllers.
ECUdiagBlocked	Alarm is active when Comms settings: ECU diag = DISABLED. This setting means that ECU alarms are not displayed and considered by controller and this alarm is the setting notification.
Wrong config	Wrong controller configuration indication. Indicates that controller hardware doesn't support PLC used in configuration. To check it send the IDch and Dngl strings3 from controller Info screen 2 and archive to your technical support.
RTCbatteryFlat	Appears in Alarmlist when battery is close to being completely flat. If power supply cut comes when the RTC battery is flat, the statistic values, history and setpoints settings are lost. Send a controller to your distributor for battery exchange if the RTCbatteryFlat message is displayed.
Al/Hist. msg 1-165	Al/Hist. msg 1-16 activity indication (Al/Hist. msg means Alarm/History message). Al/Hist. msg can be used as a customized message for additional protection configured to any controller internal value. See GenConfig manual - Protections.
Batt volt	Indication of battery voltage protection activity. This protection is based on Analog protect: Batt >V, Batt <V, and Batt volt del setpoints. Check if engine alternator or independent battery charger works properly.
EarthFaultCurr	Indication of Earth fault current protection activity. This protection is based on Gener protect: EarthFaultCurr and EthFltCurr del setpoints. Setpoint EarthFltCurrCT from Basic settings group of setpoints is related to this protection too.
Gen V unbal	Generator voltage unbalance alarm is based on Gener protect: Gen V unbal and Gen V unbal del setpoints. The voltage unbalance is calculated as a maximum difference between phase voltages.
Gen I unbal	Generator current unbalance alarm is based on Gener protect: Gen I unbal and Gen I unbal del setpoints. The current unbalance is calculated as a maximum difference between phase currents.
BusL I	unbal Left bus current asymmetry (unbalance) alarm is based on Gener protect: BusL I unbal and BusL I unbal del setpoints. The current unbalance is calculated as a maximum difference between phase currents.
Mains V unbal	Mains voltage unbalance alarm is based on Mains protect: Mains V unbal and MainsV unbal del setpoints. The voltage unbalance is calculated as a maximum difference between phase voltages.
Mains I unbal	Mains current asymmetry (unbalance) alarm is based on Mains protect: Mains I unbal and Mains I unbal del setpoints. The current unbalance is calculated as a maximum difference between phase currents.
Bus V unbal	Bus voltage unbalance alarm is based on Gener protect (Bus protect): Bus V unbal and Bus V unbal del setpoints. The voltage unbalance is calculated as a maximum difference between phase voltages.

Alarm	Definition
BusL V unbal	Left bus voltage unbalance alarm is based on BusL protect: BusL V unbal and BusL V unb del setpoints. The voltage unbalance is calculated as a maximum difference between phase voltages.
BusR V unbal	Right bus voltage unbalance alarm is based on BusR protect: BusR V unbal and BusR V unb del setpoints. The voltage unbalance is calculated as a maximum difference between phase voltages.
Dongle incomp	Incompatible (usually missing) dongle indication. IGS-NT-LSM+PMS dongle (green one) is required if load sharing and power management functions are used in MINT, COX or COMBI application. Check a Reference Guide for information whether a dongle is required for requested functionality or not.
Emergency stop	Emergency stop activity indication. Check binary input with Emergency stop function.
CAN2 bus empty	This alarm is active if controller doesn't "see" any other controllers on the CAN2 bus. Alarm activation can be enabled/disabled using setpoint Comm settings: CAN2empt-Detect. This setpoint should be set to DISABLED for single generator applications. Check Reg16/Reg32 strings to see which controllers are in the same group18.
ChrgAlternFail	Charger fail detection. This alarm means that voltage on the D+ terminal is lower than 80% of controller power supply voltage and it means that battery is no longer charged. Check function of engine alternator or independent battery charger.
Sd Stop fail	Engine stop fail indication. Stop fail means that engine does not reach "still engine" state within Engine params: Stop time. "Still engine" conditions: <ul style="list-style-type: none"> <li>• Engine speed (RPM) = 0</li> <li>• AI: Oil press &lt; Starting POil</li> <li>• D+ terminal is not active</li> <li>• BI: RunIndication 1 and 2 and 3 are not active</li> <li>• Generator voltage &lt; 15V (in all phases)</li> <li>• Generator frequency = 0 Hz</li> </ul> if all these conditions are fulfilled, additional two second delay is used to confirm "still engine" state.
Overspeed	Gen-set over speed alarm is based on Engine protect: Overspeed setpoint setting.
Underspeed	Gen-set under speed alarm is based on Engine protect: Underspeed setpoint setting.
Pickup fail	Loss of RPM signal in running state ("engine running" state is active). "Engine running" conditions: <ul style="list-style-type: none"> <li>• Engine speed &gt; Engine params: Starting RPM</li> <li>• AI: Oil press &gt; Starting POil</li> <li>• D+ terminal active (this condition is used only if Engine params: D+ function = ENABLED)</li> <li>• BI: RunIndication 1 or 2 or 3 is active</li> <li>• Generator voltage &gt; 15V (in any phase)</li> </ul> Refer to Speed pick-up input section in the Technical data chapter in IGS-NT-x.y.-Installation Guide manual for information about requested pick-up signal parameters.



Alarm	Definition
Sd BatteryFlat	Alarm is activated if controller “wakes up” after a start attempt which caused battery voltage drop (voltage drop below 6V) and consequently controller switch-off. ComAp I-LBA module may help to solve this problem, for information about this module, refer to IGSNT-x.y.-Installation Guide manual.
WrnServiceTime	This alarm is activated when at least one of controller count down service timers Engine protect: Service time X has reached zero. It is necessary to set again a non-zero value to a corresponding setpoint to reset this alarm.
Not lubricated	This Alarm list message is active until the first lubrication cycle has been finished. Refer to Engine states chapter in IGS-NT-x.y.-Reference Guide.
Start fail	This alarm is issued if generator start-up fails. It means that several crank attempts has been done (number of attempts is given by Engine params: Crank attempts) and engine did not start. For more information refer to engine starting procedures chapter in IGS-NT-x.y.-Reference Guide.
Start blocking	This message means that a binary input with Startblocking function is active and engine start is blocked. If active, NotReady state is shown on the controller screen and the message appears in the Alarm list. As soon as input is deactivated, engine start is enabled again.
Wrn CylTemp1-32	Warning protection on AI Cylinder temperature 1-32 is active. Check corresponding setpoints in the Engine protect group.
Wrn MCB fail	MCB failure was detected. Refer to Circuit breakers operation sequence, GCB/MCB fail detection chapter in IGSNT-x.y.-Reference Guide.
Stp GCB fail	GCB failure was detected. Refer to Circuit breakers operation sequence, GCB/MCB fail detection chapter in IGSNT-x.y.-Reference Guide.
Wrn BTB fail	BTB failure was detected. Refer to Circuit breakers operation sequence, GCB/MCB fail detection chapter in IGSNT-x.y.-Reference Guide. It applies to BTB breaker too.
Wrn MGCB fail	MGCB failure was detected. Refer to Circuit breakers operation sequence, GCB/MCB fail detection chapter in IGSNT-x.y.-Reference Guide. It applies to MGCB breaker too.
Sd Oil press B	Engine shut-down was activated by binary input with “Oil press” function (refer to LBI card in GenConfig for information about source signal for this function).
Wrn RSync fail	Reverse synchronization failure indication, generator or group of generators was not synchronized to mains within Sync/Load ctrl: Sync timeout time. Check setting of setpoints in the Sync/Load ctrl and Volt/PF ctrl groups. Frequency regulation loop, Angle regulation loop and Voltage regulation loop are active during synchronisation and you may need to adjust their setting. Actual state of synchronization is visible on the controller measurement screen with synchroscope where speed and voltage regulator's outputs, slip frequency and generator and mains voltages can be observed during the synchronization process.

Alarm	Definition
Stp Sync fail	<p>Synchronization failure indication (alarm Sync timeout is active), gen-set or group of generators was not synchronized to mains/bus within Sync/ Load ctrl: Sync timeout time.</p> <p>Check setting of setpoints in the Sync/Load ctrl and Volt/PF ctrl groups. Frequency regulation loop, Angle regulation loop and Voltage regulation loop are active during synchronisation and you may need to adjust their setting.</p> <p>Actual state of synchronization is visible on the controller measurement screen with synchroscope where speed and voltage regulators' outputs, slip frequency and generator and mains/bus voltages can be observed during the synchronization process.</p>
Wrn Sync fail	<p>Synchronization failure indication (alarm Sync timeout is active), generator or group of generators was not synchronized to mains/bus within Sync/ Load ctrl: Sync timeout time.</p> <p>Check setting of setpoints in the Sync/Load ctrl and Volt/PF ctrl groups. Frequency regulation loop, Angle regulation loop and Voltage regulation loop are active during synchronisation and you may need to adjust their setting.</p> <p>Actual state of synchronization is visible on the controller measurement screen with synchroscope where speed and voltage regulators' outputs, slip frequency and generator and mains/bus voltages can be observed during the synchronization process.</p>
BOC L1, L2 or L3 under	<p>Generator L1, L2 or L3 voltage was under the Gen &lt;V BOC limit for Gen V del time. Undervoltage protections are based on Gener protect: Gen &lt;V BOC and Gen V del setpoints. This alarm is issued if voltage protections are based on phase to neutral voltages. It means that Basic settings: Fix-VoltProtSel is set to PHASE-NEUTRAL.</p>
BOC L1, L2 or L3 over	<p>Generator L1, L2 or L3 voltage was over the Gen &gt;V BOC limit for Gen V del time. Overvoltage protections are based on Gener protect: Gen &gt;V BOC and Gen V del setpoints. This alarm is issued if voltage protections are based on phase to neutral voltages. It means that Basic settings: Fix-VoltProtSel is set to PHASE-NEUTRAL.</p>
Sd L1, L2 or L3 over	<p>Generator L1, L2 or L3 voltage was over the Gen &gt;V SD limit for Gen V del time. Overvoltage protections are based on Gener protect: Gen &gt;V SD and Gen V del setpoints. This alarm is issued if voltage protections are based on phase to neutral voltages. It means that Basic settings: FixVltProtSel is set to PHASE-NEUTRAL.</p>
BOC L12, L23 or L31 under	<p>Generator L12, L23 or L31 voltage was under the Gen &lt;V BOC limit for Gen V del time. Undervoltage protections are based on Gener protect: Gen &lt;V BOC and Gen V del setpoints. This alarm is issued if voltage protections are based on phase to phase voltages. It means that Basic settings: FixVltProtSel is set to PHASE-PHASE.</p>
BOC L12, L23 or L31 over	<p>Generator L12, L23 or L31 voltage was over the Gen &gt;V BOC limit for Gen V del time. Overvoltage protections are based on Gener protect: Gen &gt;V BOC and Gen V del setpoints. This alarm is issued if voltage protections are based on phase to phase voltages. It means that Basic settings: Fix-VoltProtSel is set to PHASE-PHASE.</p>
Sd L12, L23 or L31 over	<p>Generator L12, L23 or L31 voltage was over the Gen &gt;V SD limit for Gen V del time. Overvoltage protections are based on Gener protect: Gen &gt;V SD and Gen V del setpoints. This alarm is issued if voltage protections are based on phase to phase voltages. It means that Basic settings: FixVltProtSel is set to PHASE-PHASE.</p>
BOC fgen under	<p>Generator frequency was under the Gen &lt;f limit for Gen f del time. Under frequency protection is based on Gener protect: Gen &lt;f and Gen f del setpoints.</p>

Alarm	Definition
BOC fgen over	Generator frequency was over the Gen >f limit for Gen f del time. Over frequency protection is based on Gener protect: Gen <f and Gen f del setpoints.
BOC ReversePwr	This alarm is issued by the reverse power protection. This protection is based on Gener protect: Reverse power and ReversePwr del setpoints. This alarm means that either engine speed/power control does not work properly or generator current transformers (CT's) are connected in a wrong way.
MP L1, L2 or L3 under	Mains L1, L2 or L3 voltage was under the Mains <V MP limit for Mains V del time. Undervoltage protections are based on Mains protect: Mains <V MP and Mains V del setpoints. This alarm is issued if voltage protections are based on phase to neutral voltages. It means that Basic settings: Fix-VoltProtSel is set to PHASE-NEUTRAL.
MP L1, L2 or L3 over	Mains L1, L2 or L3 voltage was over the Mains >V MP limit for Mains V del time. Overvoltage protections are based on Mains protect: Mains >V MP and Mains V del setpoints. This alarm is issued if voltage protections are based on phase to neutral voltages. It means that Basic settings: FixVoltProtSel is set to PHASE-NEUTRAL.
MP L12, L23 or L31 under	Mains L12, L23 or L31 voltage was under the Mains <V MP limit for Mains V del time. Undervoltage protections are based on Mains protect: Mains <V MP and Mains V del setpoints. This alarm is issued if voltage protections are based on phase to phase voltages. It means that Basic settings: FixVoltProtSel is set to PHASE-PHASE.
MP L12, L23 or L31 over	Mains L12, L23 or L31 voltage was over the Mains >V MP limit for Mains V del time. Overvoltage protections are based on Mains protect: Mains >V MP and Mains V del setpoints. This alarm is issued if voltage protections are based on phase to phase voltages. It means that Basic settings: Fix-VoltProtSel is set to PHASE-PHASE.
Mains Avg x >V	If the value of 10 min. average mains voltage of any phase (Mains Avg V1, Mains Avg V2, Mains Avg V3) exceed value given by setpoint Mains Avg >V MP (Mains protect group), the MCB is opened and message Mains Avg x >V appears in alarm list and history record. BO Common MP is activated (x indicates number of phase).
MP fmns under	Mains frequency was under the Mains <f limit for Mains f del time. Under frequency protection is based on Mains protect: Mains <f and Mains f del setpoints.
MP fmns over	Mains frequency was over the Mains >f limit for Mains f del time. Over frequency protection is based on Mains protect: Mains >f and Mains f del setpoints.
Bus meas error	Bus measurement error is issued if bus voltage is out of limits. For details, refer to description of the Gener protect: BusMeasError setpoint in IGS-NT-x.y-Reference Guide.
OfL StartBck	This alarm indicates wrong setpoints setting that disables engine start or load takeover. Incorrect combination of ProcessControl: Island enable; ParallelEnable; Synchro enable; MF start enable setpoints setting is the reason why this alarm is issued. Refer to AUT mode section of the OFF-MAN-AUT mode chapter in IGS-NT-x.y-Reference Guide for SPTM, SPI or COMBI application.
StartBck	This alarm indicates wrong setpoints setting that disables start of generators. Incorrect combination of ProcessControl: Island enable; ParallelEnable; Synchro enable; MF start enable setpoints setting is the reason why this alarm is issued. Refer to OFF-MAN-AUT mode chapter in IM-NT-MCB-MGCB Reference Guide.

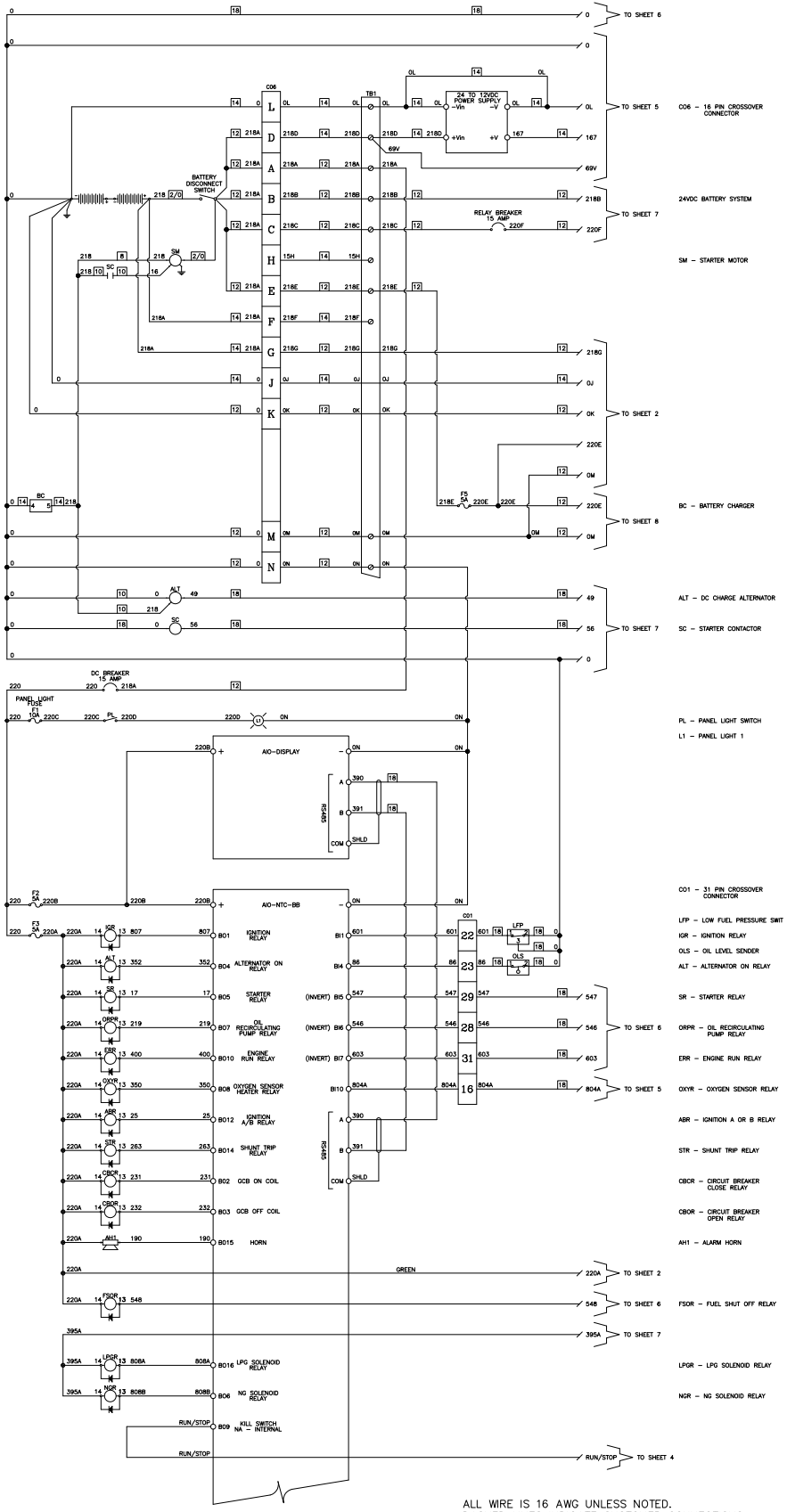
Alarm	Definition
BOC IDMT	Indicates current IDMT protection activation. Current IDMT protection is inverse definite minimum time protection which is based on the generator current. Protection reaction time depends on overcurrent value. High overcurrent means short reaction time whereas low overcurrent means longer reaction time. Protection is based on setpoints Generator protect: 2Inom del and Basic settings: Nomin current.
MPR Imains IDMT	Indicates current IDMT protection activation. Current IDMT protection is inverse definite minimum time protection which is based on the mains current. Protection reaction time depends on overcurrent value. High overcurrent means short reaction time whereas low overcurrent means longer reaction time. This protection is active if the Mns2Inom prot setpoint is set to ENABLED. Protection is based on setpoints Mains protect: Mains2Inom del and Basic settings: Nomin current.
BOR IbusL IDMT	Indicates current IDMT protection activation. Current IDMT protection is inverse definite minimum time protection which is based on the left bus current. Protection reaction time depends on overcurrent value. High overcurrent means short reaction time whereas low overcurrent means longer reaction time. This protection is active if the BusL2Inom prot setpoint is set to ENABLED. Protection is based on setpoints BusL protect: BusL2Inom del and Basic settings: Nomin current.
BOC ShortCurr	Generator short current protection was activated. Generator current was over Generator protect: Ishort level for Ishort del. time.
BOC Overload	Indicates overload IDMT protection activation. Overload IDMT protection is inverse definite minimum time protection which is based on the generator power. Protection reaction time depends on generator power value. High generator overload means short reaction time whereas low generator overload means longer reaction time. Protection is based on setpoints Generator protect: OverldStrtEval and 2POverldStEvDel.
MPR Pmains IDMT	Indicates overload IDMT protection activation. Overload IDMT protection is inverse definite minimum time protection which is based on the mains power. Protection reaction time depends on mains power value. High mains overload means short reaction time whereas low mains overload means longer reaction time. This protection is active if the Mns2POvrldProt setpoint is set to ENABLED. Protection is based on setpoints Mains protect: OverldStrtEval and 2POverldStEvDel.
BOR PbusL IDMT	Indicates overload IDMT protection activation. Overload IDMT protection is inverse definite minimum time protection which is based on the left bus power. Protection reaction time depends on the left bus power value. High left bus overload means short reaction time whereas low left bus overload means longer reaction time. This protection is active if the BusL2POvrldProt setpoint is set to ENABLED. Protection is based on setpoints BusL protect: OverldStrtEval and 2POverldStEvDel.
BOC NCB fail	NCB fail is detected if the NeutralCB fdb input doesn't follow Neutral CB C/O output within 400 ms.
Wrn BadPwrCfg	Power format is set differently in controllers which are part of the same control group. Check Power formats setting in GenConfig on the Miscellaneous card (available in the Advanced mode only).

Alarm	Definition
WrnTstOnLdFail	This alarm is issued if the Test on load function is activated (by closing corresponding BI) and generator is not able to take over mains load completely (mains import = 0) within the Sync/Load ctrl: Load ramp time. Message "WrnTstOnLdFail" is recorded into controller history in case of this failure. It is either necessary to extend the Load ramp time or check engine speed regulation.
Wrn SpdRegLim	This alarm indicates that controller Speed governor output has reached its limit. Warning is issued if Speed governor output stays close to one of the limit values for more than two seconds. Close to one of the limits means that Speed governor output value is within SpeedGovLowLim+0,2V range or SpeedGovHiLim-0,2V range. This alarm gives you information that engine speed governor is either connected in a wrong way or one of the speed control related regulation loops is set in a wrong way. Warning is blocked if binary output functions SPEED up and SPEED down are configured. Refer also to Sync/load control.
Wrn VoltRegLim	This alarm indicates that controller AVRi output has reached its limit. Warning is issued if the AVRi output stays close to 0% or 100% limit for more than two seconds. Close to limit means that AVRi output value is either <2% or >98%. This alarm gives you information that generator voltage regulator is either connected in a wrong way or one of the voltage control related regulation loops is set in wrong way. Warning is blocked if binary output functions AVR up or AVR down are configured. Refer also to Volt/PF control adjustment chapter in an IGS-NT-x.y-Reference Guide.
G L neg8	Generator phase is inverted. Check generator phases connection, one of generator phases is connected the other way round (swap generator coil leads connection).
G ph+L neg8	Wrong generator phases sequence, additionally one phase is inverted.
G ph opposed8	Wrong generator phases sequence.
M L neg9	Mains phase is inverted. Check mains transformer phases connection, one of transformer phases is connected the other way round (swap transformer coil leads connection).
M ph+L neg9	Wrong mains phases sequence, additionally one phase is inverted.
M ph opposed9	Wrong mains phases sequence.
B L neg13	Bus phase is inverted.
B ph+L neg13	Wrong bus phases sequence, additionally one phase is inverted.
B ph opposed13	Wrong bus phases sequence.
BL L neg12	Left bus phase is inverted.
BL ph+L neg12	Wrong left bus phases sequence, additionally one phase is inverted.
BL ph opposed	Wrong left bus phases sequence.
BR L neg	Right bus phase is inverted.
BR ph+L neg	Wrong right bus phases sequence, additionally one phase is inverted.
BR ph opposed	Wrong right bus phases sequence.
ActCallCH1Fail, CH2Fail, CH3-Fail	Indication of unsuccessful active call 1-3. Refer to Intel Communication Guide for information about active calls. Refer to the IGSNT-x.y-Reference Guide for description of setpoints which are part of the Act.calls/SMS group and are used for active call setup.

Alarm	Definition
PassInsertBck	<p>Break through password function can be ENABLED/DISABLED from the password management window in IntelliMonitor (initial status is DISABLED).</p> <p>Warning “PassInsertBck” appears in alarm list when controller is blocked. It is not allowed to insert the password in case that controller is blocked. There is information that controller is blocked for next password attempt and time remaining till the end of blocation instead of password input window at the terminal screen. The controller is locked for five minutes when the password is wrongly entered six times (in case of next six wrong attempts (correct password was not inserted at all) for 30, 60, 120, 240 minutes). Incorrect password message appears in the history of the controller when the invalid password is used.</p>
Fuel Not Ready	<p>Fuel mixer has not completed its 30 second reference run immediately after controller has been powered on.</p> <p>OR</p> <p>No fuel has been selected, but unit start has been attempted. Clear alarm, select fuel and restart unit.</p>
MAPControlFLS	<p>Indicates an error with the closed-loop control (manifold air pressure) of the air-fuel feedback system. This could be due to a problem with the oxygen sensor, mixer, or intake air temperature. Contact Generac Mobile Products Technical Service for further diagnosis.</p>
ChkEngP0134	<p>Indicates an issue with emissions compliance. Contact Generac Mobile Products Technical Service for further diagnosis.</p>
Configure AVR	<p>A warning will always be triggered by pressing the 50 Hz button.</p> <p>A shutdown will initiate any time the 50 Hz button is pressed while unit is running.</p>
Low Gas Press	<p>While unit was running in NG only mode, it sensed low gas pressure and initiated shutdown.</p>

# Section 6 Wiring Diagrams and Service Log

## DC Controls (Page 1 of 6)

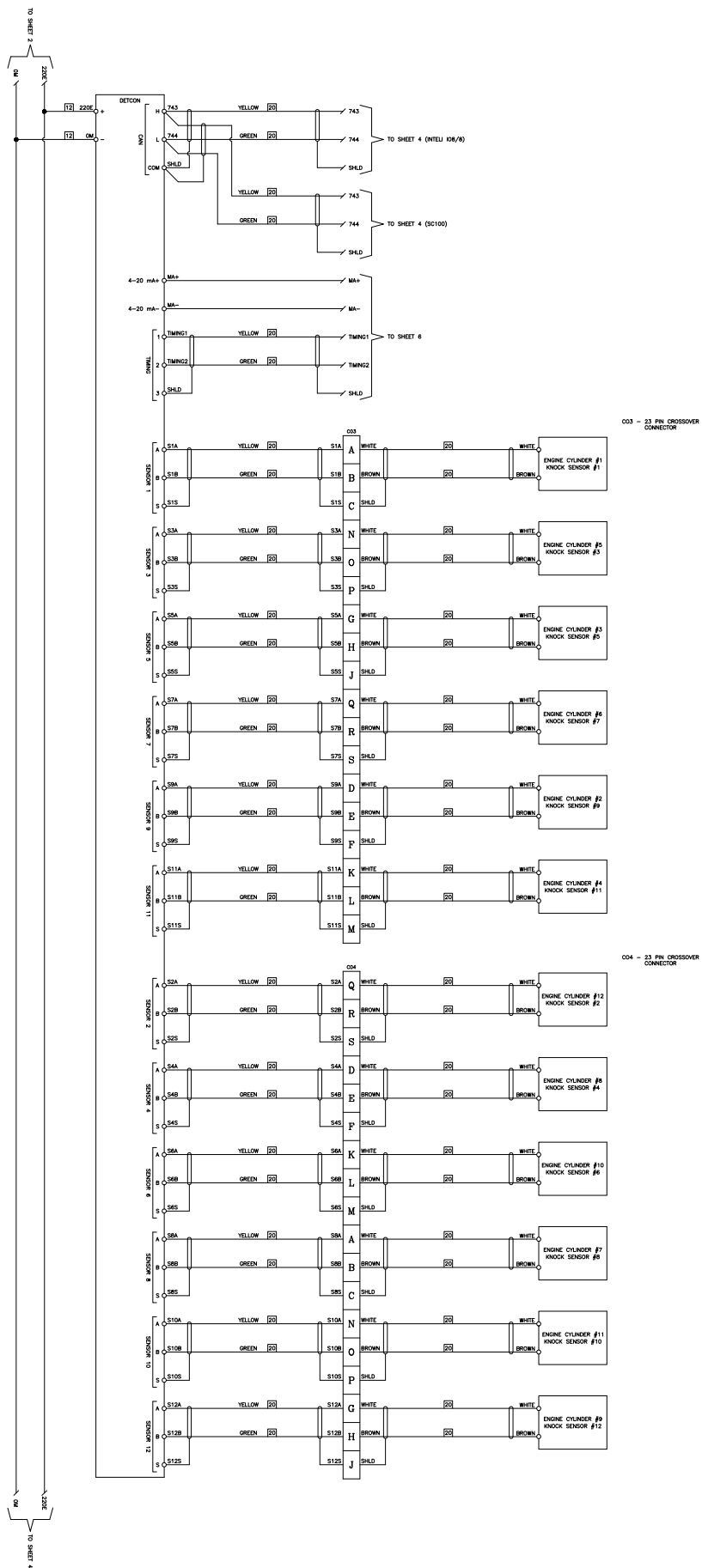


ALL WIRE IS 16 AWG UNLESS NOTED.  
DASHED LINES INDICATE CUSTOMER CONNECTIONS.

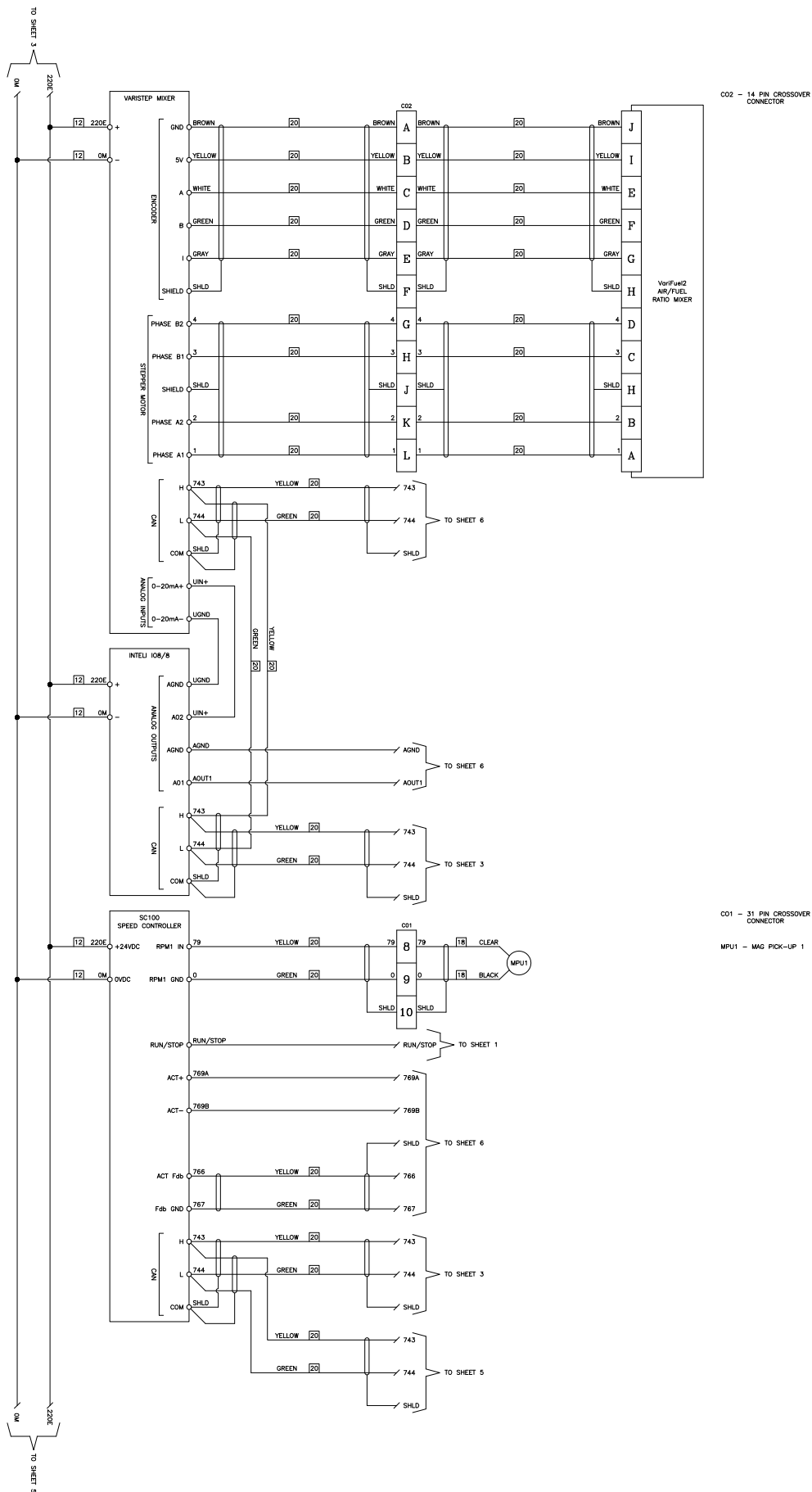




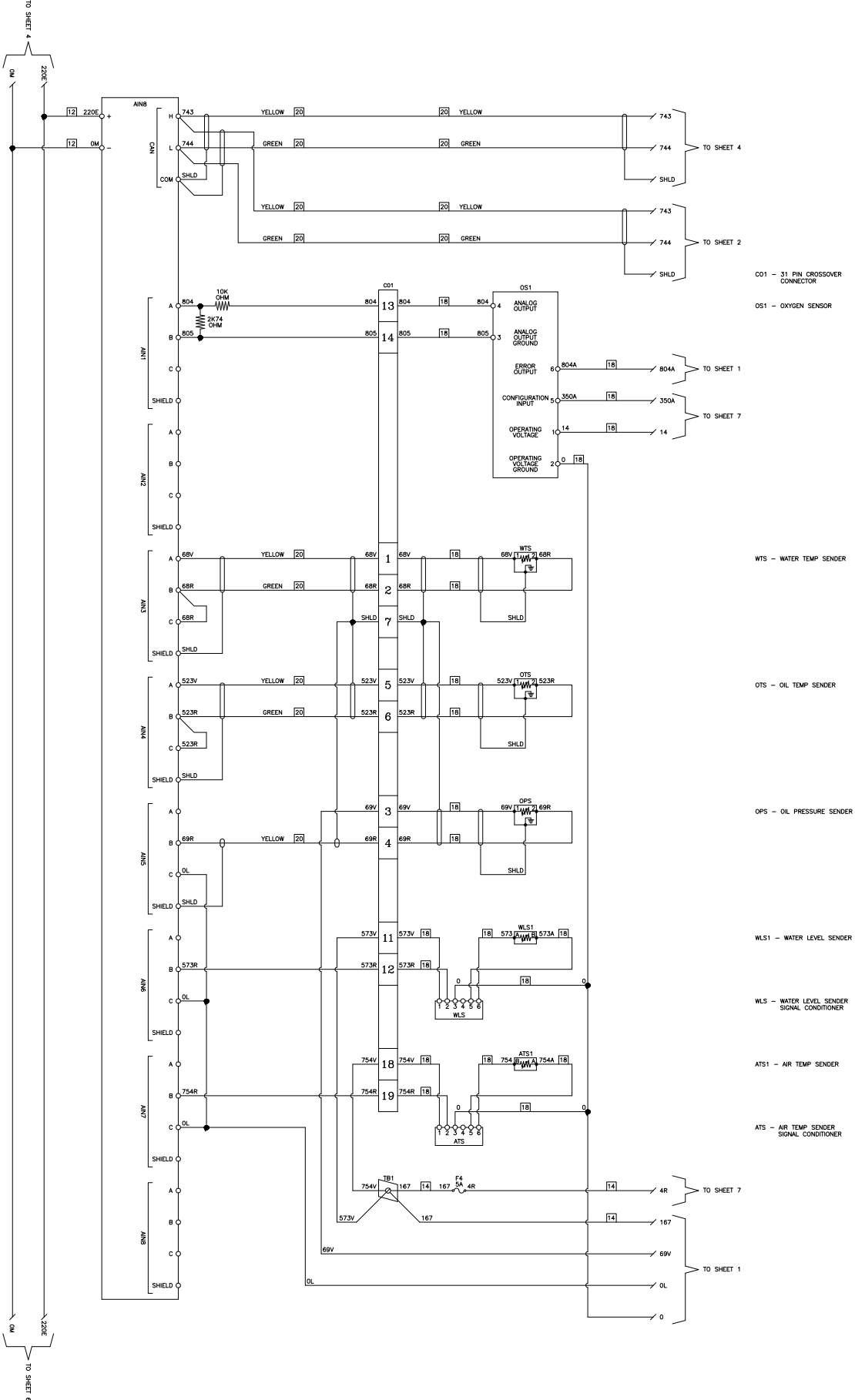
# DC Controls (Page 3 of 6)



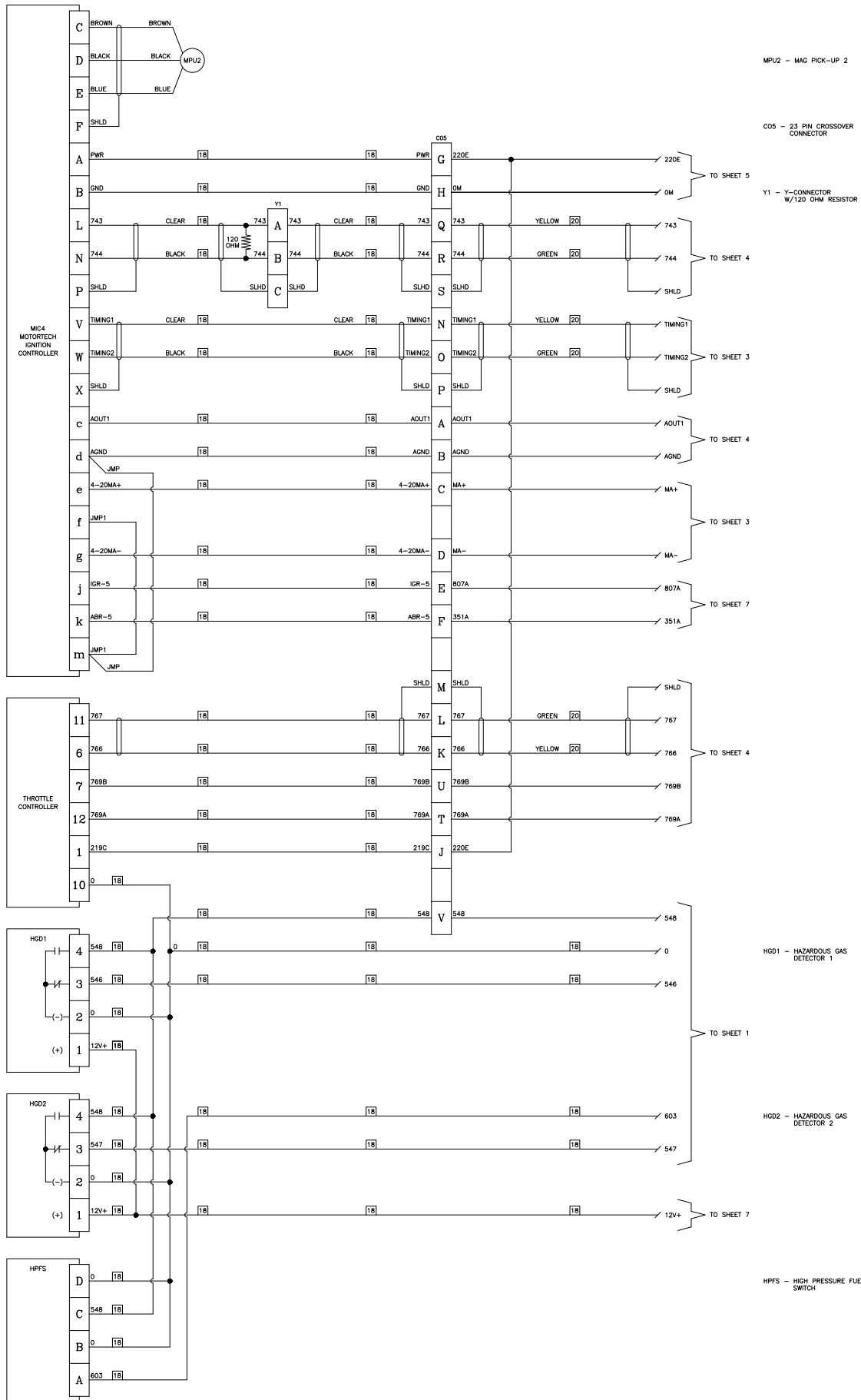
# DC Controls (Page 4 of 6)



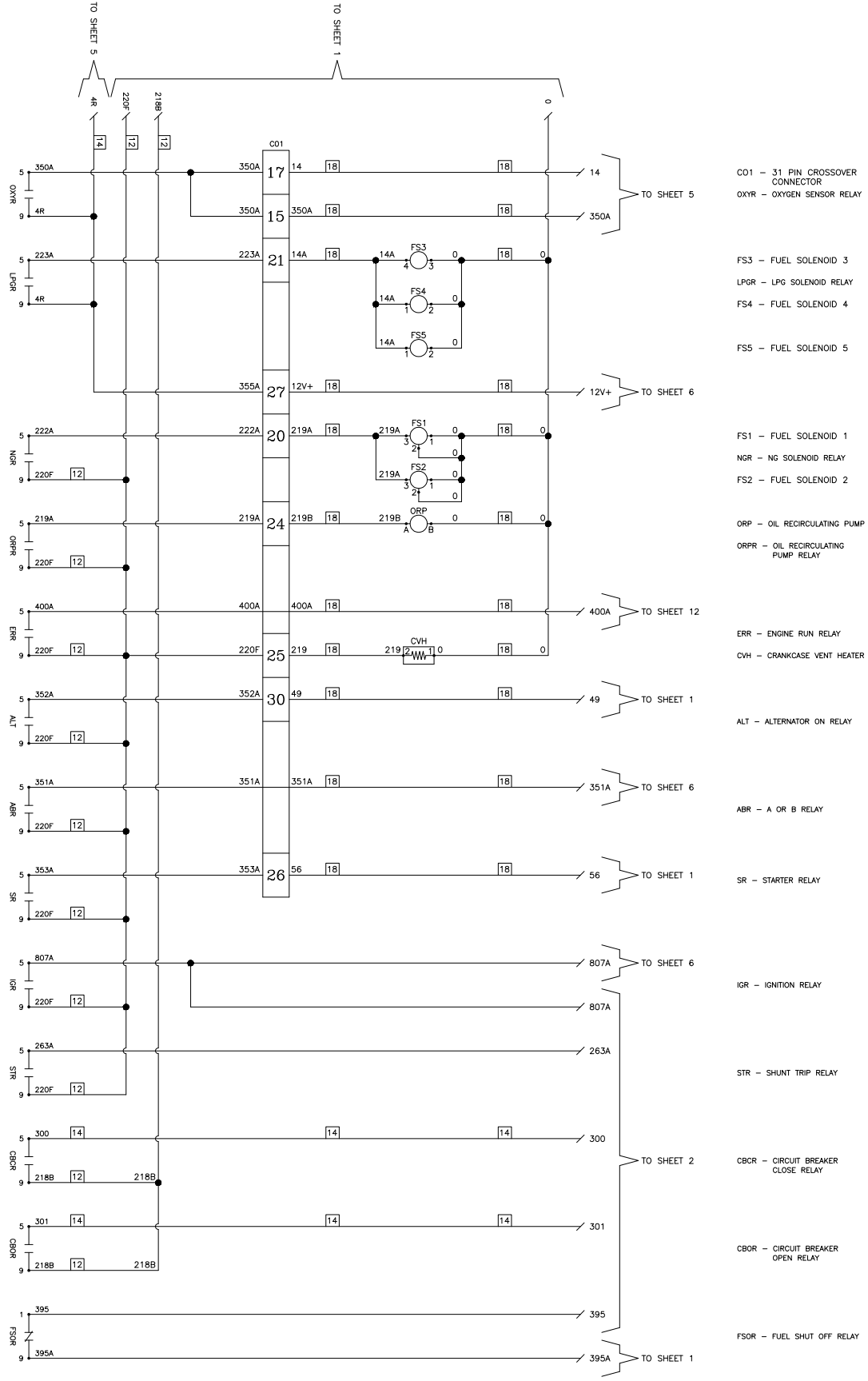
# DC Controls (Page 5 of 6)



# DC Controls (Page 6 of 6)

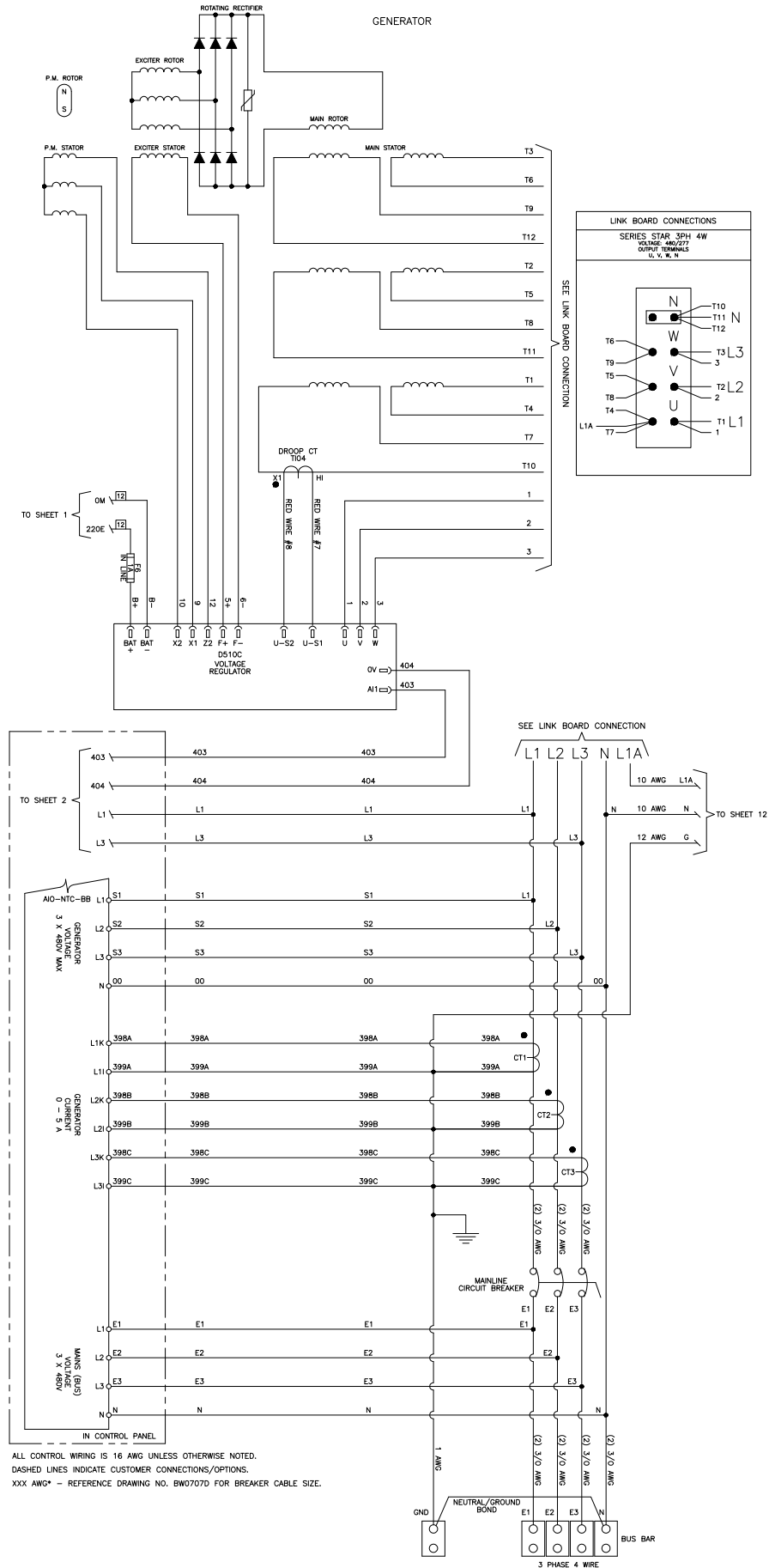


# Relay Connections

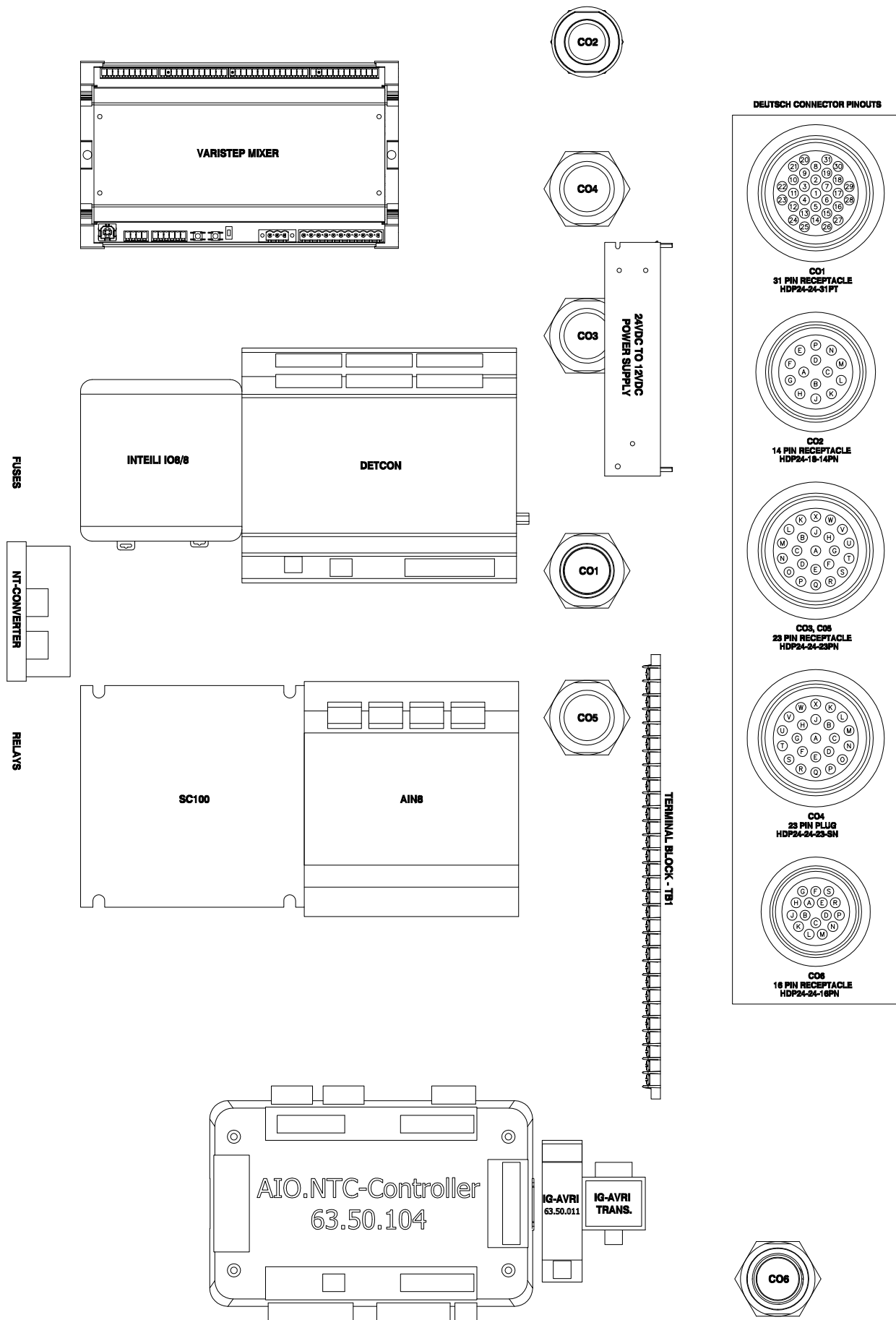


ALL WIRE IS 16 AWG UNLESS NOTED.  
DASHED LINES INDICATE CUSTOMER CONNECTIONS.

# AC Connections



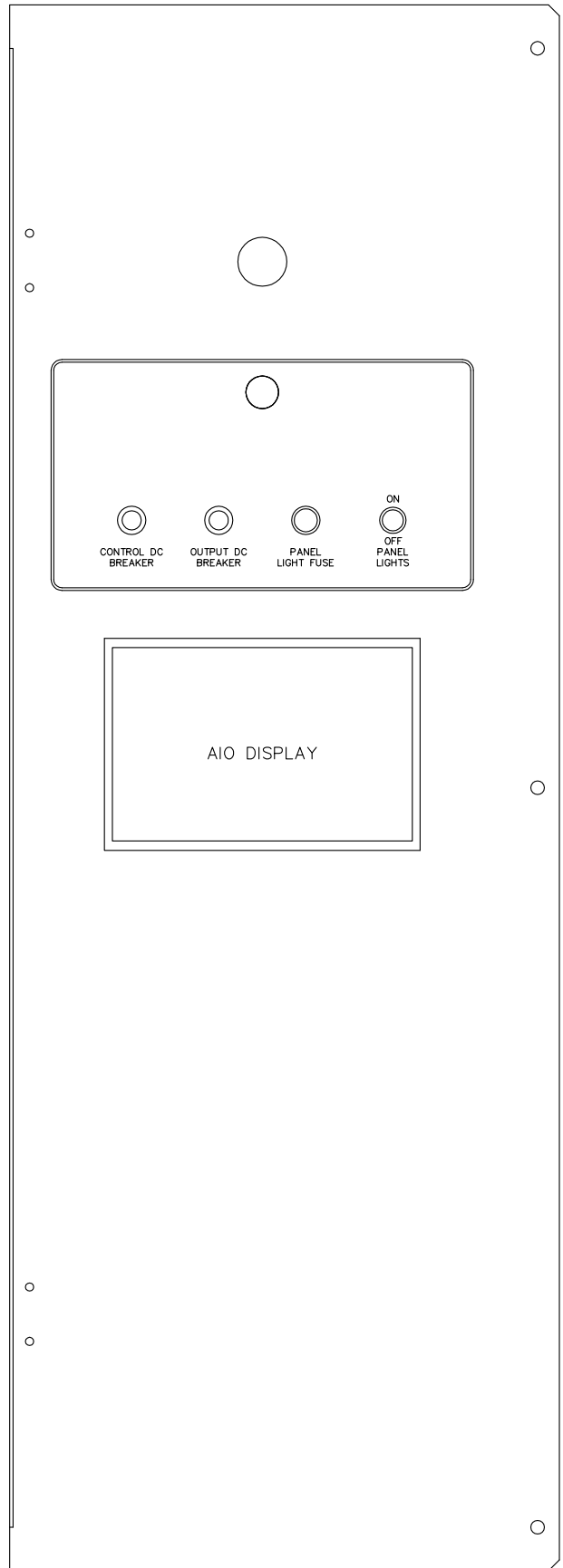
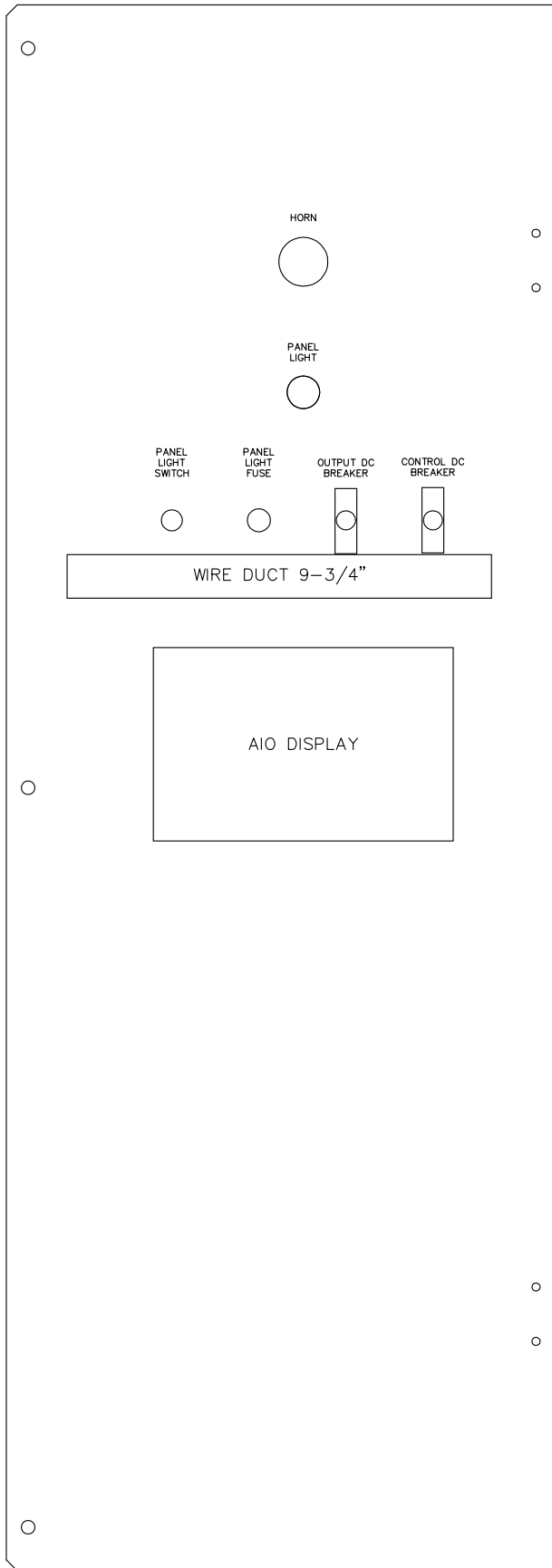
# Control Panel Layout



# Control Faceplate

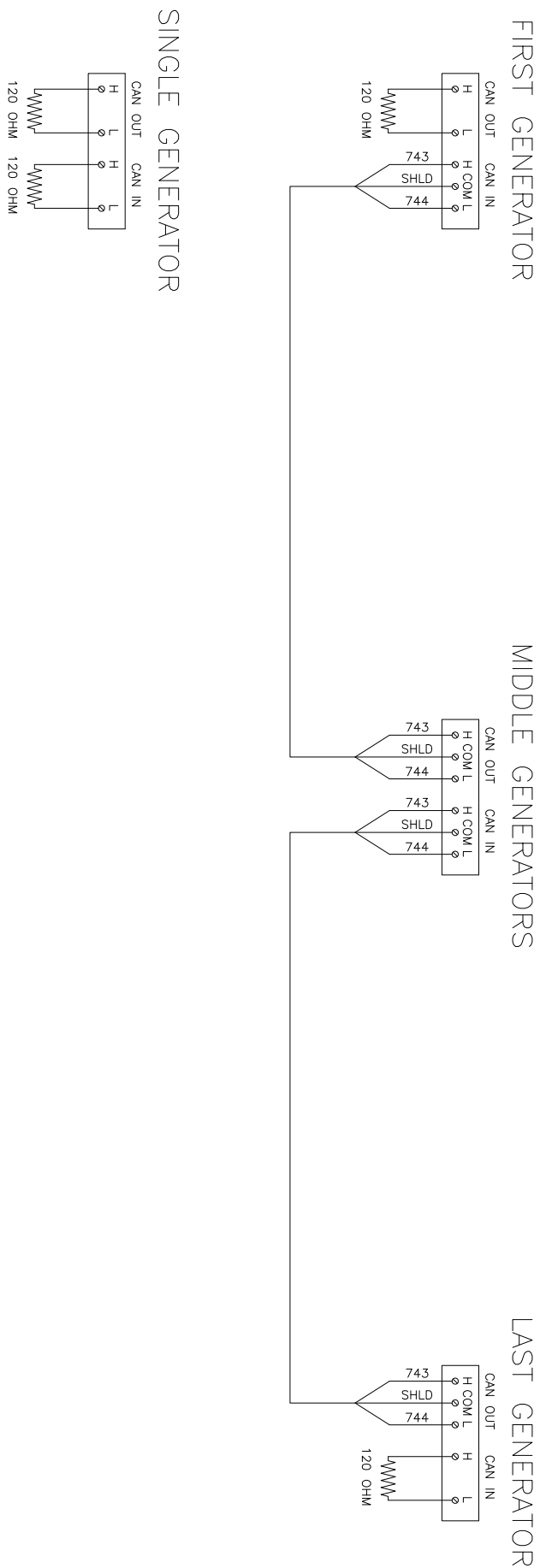
DOOR LAYOUT  
VIEW FROM INSIDE OUT

DOOR LAYOUT  
VIEW FROM OUTSIDE

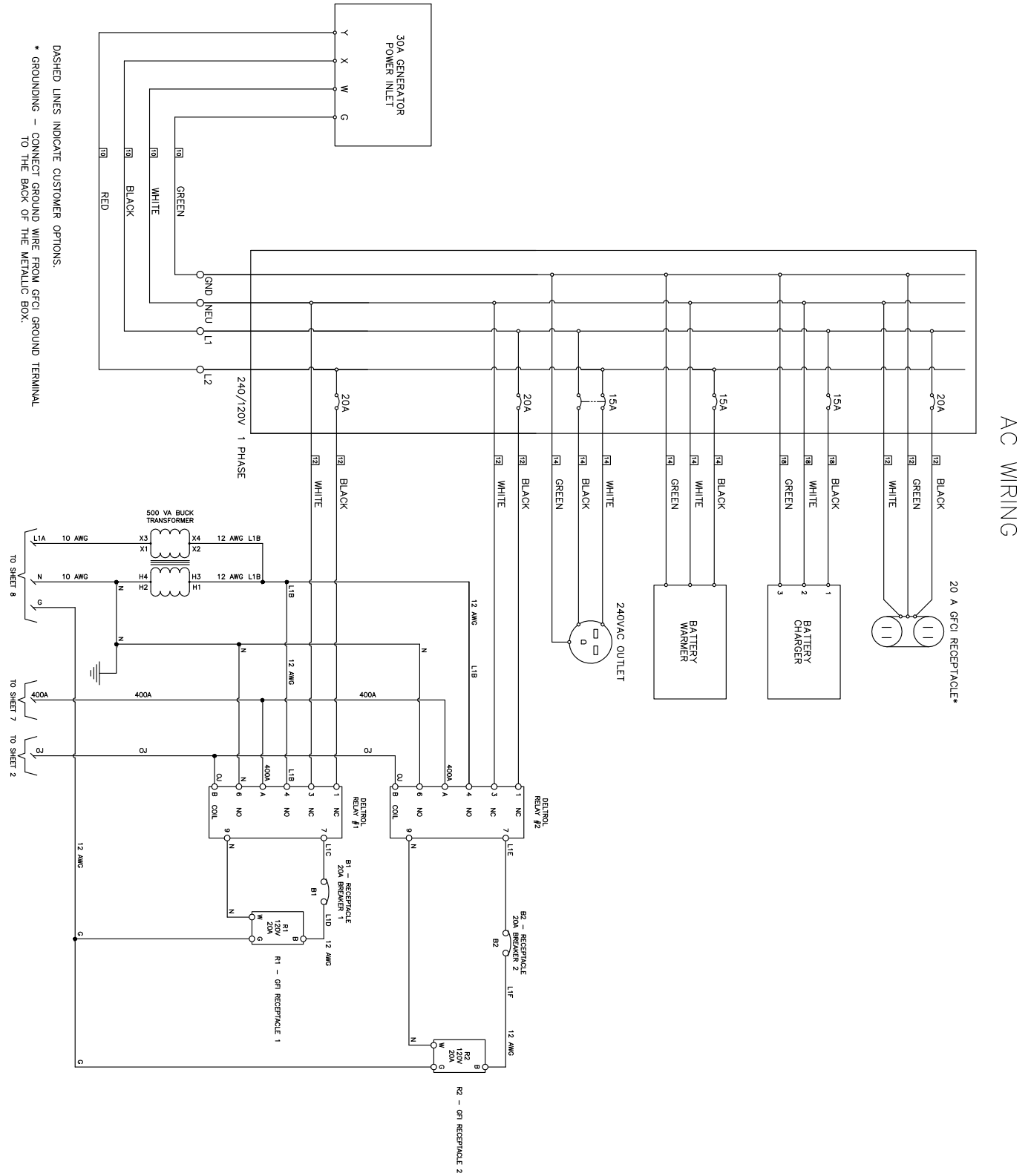




# CAN Wiring



# Receptacle



DASHED LINES INDICATE CUSTOMER OPTIONS.  
 \* GROUNDING - CONNECT GROUND WIRE FROM GFCI GROUND TERMINAL TO THE BACK OF THE METALLIC BOX.



Part No. 0L6724 Rev. D 05/03/2019  
©2019 Generac Mobile Products, LLC  
All rights reserved.  
Specifications are subject to change without notice.  
No reproduction allowed in any form without prior written  
consent from Generac Mobile Products, LLC.

**GENERAC** | **MOBILE**

Generac Mobile Products, LLC  
215 Power Drive, Berlin, WI 54923  
[GeneracMobileProducts.com](http://GeneracMobileProducts.com) | 800-926-9768 | 920-361-4442